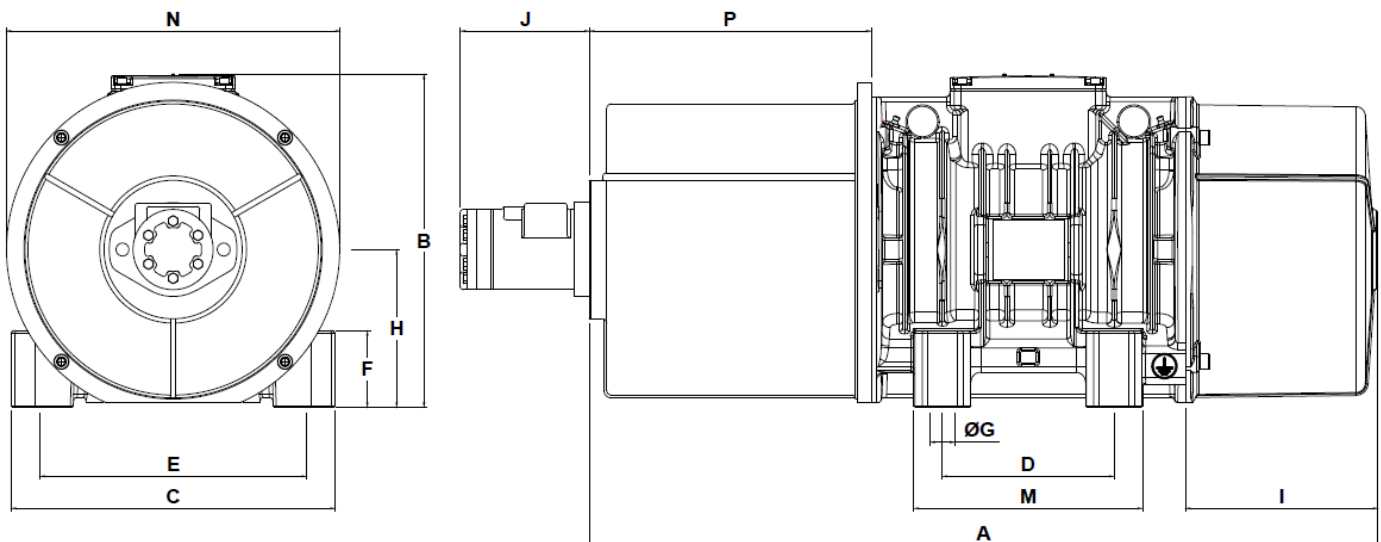




**VHE15 & VM VIBRATORS PERFORMANCE DATA**

Model	Frame Size	Max. Speed RPM	Centrifugal Force		Static Moment Kg.mm	Pressure Bar		Starting Torque Nm	Flow Rate L/min	Displacement cc/rev
			Kgs	kN		Start	Run			
VHE 15/550	20	1500	552	5.41	219	70	39	2.75	13	8
VHE 15/3000	60	1500	3106	30.44	1235	225	40	33	35	21
VHE VM 18/6850	60	1800	3107	30.45	858	230	45	35	40	21

**DIMENSIONS**



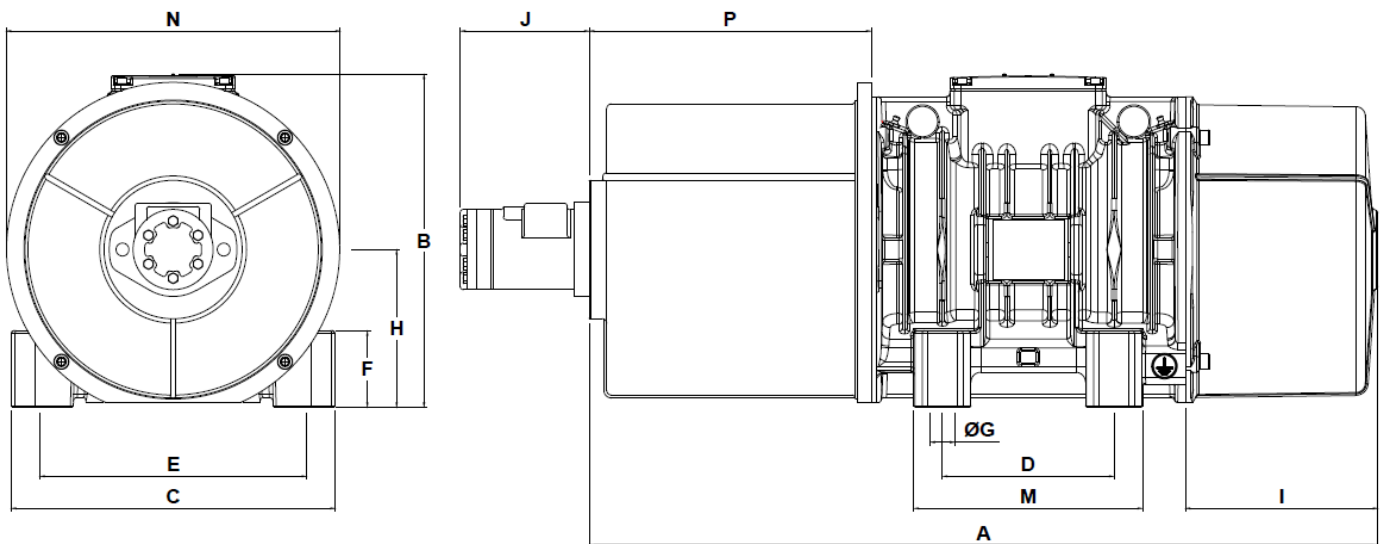
MODEL	A	B	C	D	E	F	G		H	I	J	M	N	P	Weight
							DIA	No.							
VHE 15/550	450	203	167	105	140	30	13	4	82.5	114	111	140	180	178	25
VHE 15/3000	705	272	275	155	225	70	22	4	131	177	120	210	275	265	90
VHE VM 18/6850	705	272	275	166	229	18	22	6	131	177	120	257	275	265	70



**VHE VIBRATORS PERFORMANCE DATA**

Model	Frame Size	Max. Speed RPM	Centrifugal Force		Static Moment Kg.mm	Pressure Bar		Starting Torque Nm	Flow Rate L/min	Displacment cc/rev
			Kgs	kN		Start	Run			
VHE 10/810	40	1000	809	7.93	723	90	35	9.5	15	13
VHE 10/1400	50	1000	1424	13.95	1274	140	100	16	15	13
VHE 10/2100	60	1000	2154	21.11	1927	110	62	25	38	36
VHE 10/3810	80	1000	3826	37.49	3422	165	105	44.6	38	36
VHE 10/5150	80	1000	5230	51.25	4678	165	125	59	38	36

**DIMENSIONS**



MODEL	A	B	C	D	E	F	G		H	I	J	M	N	P	Weight Kgs
							DIA	No.							
VHE 10/810	549	246	230	140	190	45	17	4	116	134	111	190	250	183	56
VHE 10/1400	646	245	230	140	190	45	17	4	116	171	111	190	150	183	74
VHE 10/2100	725	272	275	155	225	70	22	4	130	200	135	210	275	262	104
VHE 10/3810	828	347	340	180	280	80	26	4	165	202	135	240	350	296	186
VHE 10/5150	906	347	340	180	280	80	26	4	165	248	135	240	350	328	213