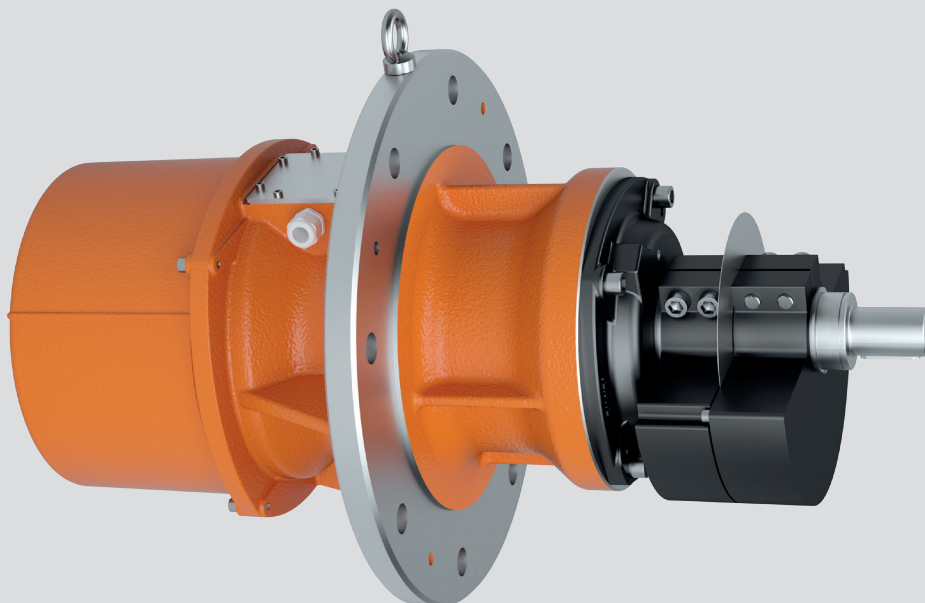


# ■ MTF-ACC



## Technical features

### Power supply

Three phase tension from 220V to 690V at 50Hz or 60Hz; variable frequency from 20Hz to the nameplate frequency, at constant torque, with frequency inverter.

### Polarities

6 pole standard, 4 & 8 pole on request, depending on frame size.

### Reference Regulations and Directives

Low Voltage Directive 2006/95/CE; EN/IEC 60034-1.

### Functioning

Continual service (S1) at maximum declared centrifugal force and electric power. Intermittent services are also possible depending on the type of vibrator and on the operating conditions. For detailed information, contact our technical assistance office.

### Centrifugal force

Range extended to 20000 Kgf. (197 kN), adjustable varying the position of eccentric weights.

### Mechanical protection

IP66 according to IEC/EN 60529.

### Protection against mechanical impacts

IK 08 according to IEC/EN 62262.

### Insulation class

Class F (155°C).

### Tropicalisation

Standard on all vibrators, with "drop by drop" trickle system.

### Ambient temperature

From -20°C to +40°C; higher or lower temperatures are possible on request.

### Vibrator thermal protection

With thermal detectors with thermistors PTC 130°C. Upon request different temperatures thermistors are available and anti-condensation heaters.

### Fixing of the vibrator

Typical fixing of these vibrators on inclined screens is horizontal, with connecting shaft and joints between the two motor-vibrators in order to keep the weights synchronized. The joints and the connecting shaft are not part of the standard supply but on demand only.

### Lubrication

All vibrators are correctly lubricated at the factory and do not require further lubrication at their start-up in normal operating conditions.

### Terminal box

Large dimensions box to ease electrical connections. Special-shaped wire press allow the fixing of the feeding cable, protecting it from vibrations.

### Electric motor

Three-phase asynchronous type. Designed for obtaining maximum torque values both at starting to respond to the requirements of vibrating machines. Insulated windings by means of the "drop by drop" trickle system with class H resin. The rotor is die cast aluminum (squirrel cage).

### Casing

In spheroidal cast iron, with connecting flange for a solid connection to the vibrating machine.

### Bearing flange

Carried out in spheroidal graphite cast iron. Relevant design was studied to convey the load to the casing in a uniform way

### Bearings

Custom made with special profile especially designed for Italtvibras, suitable to withstand both high radial and axial loads

### Motor shaft

In treated steel alloy (isothermal hardening) resistant to high stresses. One side extension to allow linear coupling through joint.

The new MTF-ACC Series consists of flange mounted electric vibrators with shaft extension on one side and weight protection cover on the opposite side. This vibrator is designed for use on horizontal or inclined screens of medium and large dimensions.

The MTF-ACC vibrators are easy to install, they are normally fixed to the sides of the screen by means of a side flange and the two shafts are mechanically connected in-line through a shaft and dynamic elastic joints.

With two MTF-ACC motor-vibrators coupled in-line up to 40000 Kgf (394kN) of centrifugal force can be reached.

The Italtibras technical staff is able to assist with the selection of the connecting shaft as well of the dynamic joints coupling and of course with the application of the motor-vibrators.

#### **Eccentric weights**

Allow continual adjustment of the centrifugal force. It is achieved by means of a graduated scale expressing it as a percentage of the maximum centrifugal force.

#### **Weight covers**

In aluminum alloy. On several sizes split covers are also available to enable opening in radial direction.

#### **Painting**

Electrostatic surface treatment based on polymerized epoxy polyester powder in oven at 200°C. Tested in salt spray for 500 hours

**For further details please contact Italtibras Technical Assistance.**

**Technical features and models mentioned in this catalogue are indicative and not binding. Italtibras reserves the right to modify them without any obligation.**

#### **Certifications**



In conformity with the applicable Communitarian Directives.

# ■ MTF-ACC

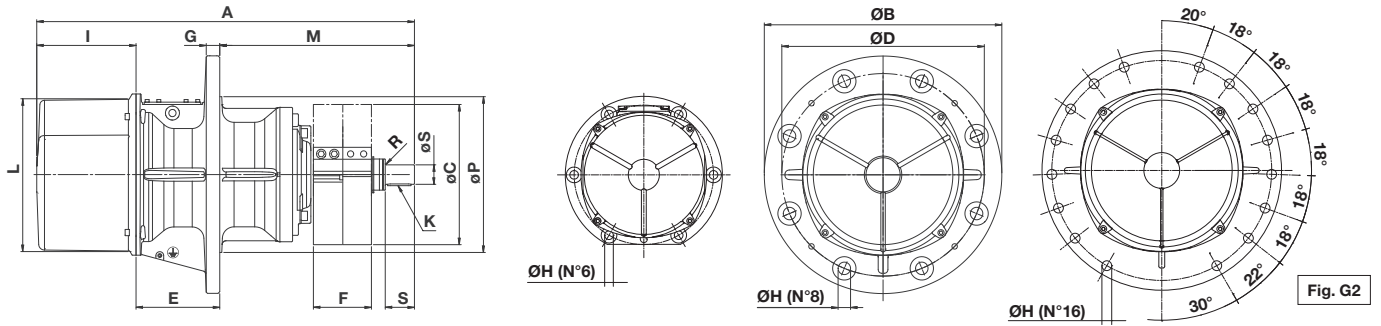


6 poles - 1.000/1.200 rpm

## Three-phase

DESCRIPTION			MECHANICAL SPECIFICATIONS								ELECTRICAL SPECIFICATIONS					
Code	Type	SIZE	Static moment*		Centrifugal force				Weight		Max input power		Max current		Ia/In	
			kgmm		kg	kN	kg		W		A					
			50Hz	60Hz	50Hz	60Hz	50Hz	60Hz	50Hz	60Hz	50Hz	60Hz	400V 50Hz	460V 60Hz	50Hz	60Hz
602013	<b>MTF 10/5150-S02-ACC</b>	80	4678	3230	<b>5230</b>	<b>5200</b>	<b>51,3</b>	<b>51,0</b>	230	205	3200	3600	6,50	6,00	5,24	5,50
602001	<b>MTF 10/6600-S02-ACC</b>	97	6083	3979	<b>6800</b>	<b>6405</b>	<b>66,7</b>	<b>62,8</b>	316	288	5000	5900	10,0	9,80	5,61	5,82
602498	<b>MTF 10/10000-S02-ACC</b>	97	8673	5664	<b>9696</b>	<b>9117</b>	<b>95,1</b>	<b>89,4</b>	420	381	7600	8000	13,5	12,4	4,72	4,92
602305	<b>MTF 10/11200-S02-ACC</b>	97	9983	6896	<b>11160</b>	<b>11100</b>	<b>109</b>	<b>109</b>	437	402	7600	8000	13,5	12,4	4,72	4,92
602217	<b>MTF 10/12000-S09-RF-ACC</b>	105	10700	7500	<b>11963</b>	<b>12072</b>	<b>117</b>	<b>118</b>	665	610	9000	9500	16,3	15,0	5,21	5,73
602101	<b>MTF 10/13000-S02-ACC</b>	97	11510	8158	<b>12867</b>	<b>13130</b>	<b>126</b>	<b>129</b>	485	410	9600	10000	17,0	16,0	4,98	5,00
602002	<b>MTF 10/15000-S09-RF-ACC</b>	105	12662	8700	<b>14155</b>	<b>14004</b>	<b>139</b>	<b>137</b>	690	650	10600	11270	19,0	18,0	5,88	5,78
602218	<b>MTF 10/17500-S09-RF-ACC</b>	105	15500	10439	<b>17327</b>	<b>16804</b>	<b>170</b>	<b>165</b>	750	700	13000	13700	24,5	23,0	5,71	5,96
602009	<b>MTF 10/19500-S09-RF-ACC</b>	105	17947	11430	<b>20062</b>	<b>18400</b>	<b>197</b>	<b>181</b>	760	710	13000	13700	24,5	23,0	5,71	5,96

\* Working moment = 2 x static moment      RF = Possibilità di raffreddamento a circolazione d'acqua in ambienti ad alta temperatura.



DIMENSIONAL SPECIFICATIONS (mm)

Type	Fig.	A	ØB	ØC	ØD	ØH	N°	Holes											Filettatura Pressacavo (non fornito)
								E	F	G	I	L	M	ØP	ØS	S	R	K	
MTF 10/5150-S02-ACC	G2	865	400	280	355	22	6	215	172 (50Hz) 120 (60Hz)	23	248	304	402	302	40	54	-	12x8x20	M32x1,5
MTF 10/6600-S02-ACC	G2	815	610	360	520	32	8	215	104 (50Hz) 73 (60Hz)	34	174	387	426	400	50	80	-	14x9x60	M32x1,5
MTF 10/10000-S02-ACC	G2	970	610	360	520	32	8	215	147 (50Hz) 96 (60Hz)	34	255	387	500	400	50	75	-	14x9x60	M32x1,5
MTF 10/11200-S02-ACC	G2	970	610	360	520	32	8	215	172 (50Hz) 122 (60Hz)	34	255	387	500	400	50	75	-	14x9x60	M32x1,5
MTF 10/12000-S09-RF-ACC	G2	1095	610	444	560	25	16	280	107 (50Hz) 95 (60Hz)	40	200	486	615	445	65	140	-	20x12x90	M32x1,5
MTF 10/13000-S02-ACC	G2	1060	610	355	520	32	8	215	210 (50Hz) 162 (60Hz)	34	300	387	545	400	50	75	-	14x9x60	M32x1,5
MTF 10/15000-S09-RF-ACC	G2	1133	610	444 (50Hz) 420 (60Hz)	560	25	16	280	116 (50Hz) 95 (60Hz)	40	200	486	653	445	80	193	11	22x14x50	M32x1,5
MTF 10/17500-S09-RF-ACC	G2	1179	610	444 (50Hz) 420 (60Hz)	560	25	16	280	142 (50Hz) 114 (60Hz)	40	240	486	659	445	80	169	11	22x14x70	M32x1,5
MTF 10/19500-S09-RF-ACC	G2	1219	610	444	560	25	16	280	168 (50Hz) 106 (60Hz)	40	280	486	659	445	80	169	11	22x14x70	M32x1,5

Ia/In = ratio between start-up current and max current.