

The CDX explosion-proof vibrators have been designed for use in industrial processes in a potentially explosive atmosphere.

The enclosure of the CDX vibrators is characterized by increased thickness and joints to prevent the transmission of an internal explosion to the surrounding area.

The CDX series is characterized and enhanced by many different certifications, depending on the vibrator model, as shown in these pages.

Technical features

Power supply

Three-phase voltage from 24V to 690V (limit at 600V for UL and CSA certifications), 50Hz or 60Hz, or single-phase 100-130V 60Hz and 200-240V 50Hz; suitable for use with a PWM inverter from 20Hz to the base frequency with constant torque load profile.

Polarity

2, 4, 6 and 8 poles.

Conformity with Standards and Regulations

ATEX Directive 2014/34/UE;
EN/IEC 60079-0, EN/IEC 60079-1,
EN/IEC 60079-31, UL 674-886, CSA C22.2.
See also tables.

Controls

The components that affect protection are 100% accurately controlled and recorded with traceability.

Functioning

Continual service (S1) at maximum declared centrifugal force and electric power. Intermittent services are also possible depending on the type of vibrator and the operating conditions. For detailed information, contact our technical assistance office.

Centrifugal force

Range extended to 22400 Kgf. (220 KN), with centrifugal force adjustable from 0 to 100%.

Mechanical protection

IP66 according to IEC/EN 60529.

Protection against mechanical impacts

IK 08 according to IEC/EN 62262.

Insulation class

Class F (155°C).

Tropicalization

Standard on all vibrators, with vacuum encapsulation up to size 35, with "drop by drop" trickle system for larger sizes.

Ambient temperature

From -20°C to +40°C. See also approval table for other ambient temperatures.

Vibrator thermal protection

With thermal protector at 130°C for the entire CDX range, or on request with PTC thermistors rated heat detectors 130°C.

Fixing of the vibrator

In all positions and therefore without restriction.

Lubrication

All vibrators are lubricated in the factory and do not require further lubrication at start-up.

Terminal box

Large fixed electrical connections. The terminal cover, with increased thickness, is constructed to contain internal explosions. Special shaped terminals allow to fix the power supply cable, protecting it from loosening.

Electric motor

Three-phase and single-phase asynchronous type. Insulated windings using vacuum encapsulating up to size 35; using the "drop by drop" trickle system with Class H resin for the larger sizes. The rotor is die cast aluminium.

Casing

In high-tensile aluminium alloy up to size 30, in spheroidal cast iron for larger sizes.

Bearing flange

In spheroidal or grey cast iron.

The geometry of the flange transmits the load to the casing uniformly.

Bearings

Custom made with particular geometry, especially designed for Italtibras, suitable to support both high radial and axial loads.

Motor shaft

In treated steel alloy (Isothermic hardening) resistant to stress.

Eccentric weights

Allow continual adjustment of the centrifugal force. This adjustment is realized by a graduated scale, which expresses the centrifugal force as a percentage of the maximum centrifugal force.

A patented system, called ARS, prevents adjustment errors.



The CDX-G series, obtained by the CDX frame sizes 35 to 80 series, is specifically designed for use in industrial processes in a potentially explosive gas atmosphere, they are commonly used on oil and gas drilling rigs and other applications. The CDX-G series has weight covers and terminal box covers with special protection coatings; upon request, weight covers can be supplied in stainless steel.

Approvals	series CDX	series CDX-G
	Class I, Groups CD. Class II, Groups EFG. Temp. Class T4 (135°C) (Amb. Temp. -20°C÷+40°C)	Class I, Groups CD. Temp. Class T2C (230°C) (Amb. Temp. -20°C÷+60°C)
	ATEX II2G Ex d IIB 120°C Gb II 2D Ex tb IIIC T120°C Db (Amb. Temp. -20°C÷+40°C)	ATEX II2G Ex d IIB 160°C Gb (Amb. Temp. -20°C÷+60°C)
	Ex d IIB 120°C Gb Ex tb IIIC T120°C Db (Amb. Temp. -20°C÷+40°C)	Ex d IIB 160°C Gb (Amb. Temp. -20°C÷+60°C)
Notes	Version with Amb. Temp. -20°C to +60°C and other temperature classes is available.	Version with cULus temperature class T3C (160°C) with thermal protection is available.

Weight covers

In aluminium alloy.
Special coatings provided on CDX-G types.
On request available also in stainless steel for CDX-G types.

Painting

Electrostatic surface treatment based on polymerised epoxy polyester powder in oven at 200°C. Tested in salt spray for 500 hours.

Other features

The CDX series is supplied without cable gland and with NPT threaded conduit opening.

Other mounting bolt patterns are available. For further details please contact sales offices at Italtvibras.

The technical data and models listed in this catalogue are not binding. Italtvibras reserves the right to modify them without prior notice.

Certifications



Compliance with the applicable European Union directives.



Certificate: E129825
Class I, Groups CD
Class II, Groups EFG
Temp. Class T4 (135°C)
UL Standard N°674-886, CSA C22.2



Certificate: DEMKO 07 ATEX 0612032X
II2D Ex tb IIIC T120°C Db
II2G Ex d IIB 120°C Gb
ATEX Directive 2014/34/UE
EN 60079-0, EN 60079-1, EN 60079-31



Certificate: IECEx UL 09.0034X
Ex tb IIIC T120°C Db
Ex d IIB 120°C Gb
IEC 60079-0, IEC 60079-1, IEC 60079-31



Certificate: LR 100948
Class I, Groups CD
Class II, Groups EFG
Temp. Class T4 (135°C)
CSA Standard C22.2, UL N°674-886



Certification for Eurasian Customs Union
N° TC RU C-IT.ГБ08.B.02190



KOSHA Korea
Certificati n° 11-AV4BO-0353/4/5/6/7/8/60
Ex d IIB 120°C
Ex td A21 IP66 T120°C



2 poles - 3.000/3.600 rpm

Three-phase

DESCRIPTION			MECHANICAL SPECIFICATIONS												ELECTRICAL SPECIFICATIONS								
Code	Type	SIZE	Certifications					Static moment* kgmm		Centrifugal force kg				Weight kg		Max input power W		Power rating W		Max. current A		Ia/In	
			●	○	●	●	●	50Hz	60Hz	50Hz	60Hz	50Hz	60Hz	50Hz	60Hz	50Hz	60Hz	50Hz	60Hz	400V 50Hz	460V 60Hz	50Hz	60Hz
600384	CDX 3/300-G/D	10	●					30,0	22,5	302	326	2,96	3,20	11,5	11,0	260	270	180	190	0,60	0,50	3,47	4,20
600385	CDX 3/500-G/D	20	●					58,0	34,8	584	504	5,72	4,94	17,0	16,0	450	500	330	390	0,80	0,75	4,21	4,80
600387	CDX 3/800-G/D	30	●					74,5	55,9	750	810	7,35	7,94	23,3	22,4	650	685	500	520	1,10	1,00	3,83	6,00
600389	CDX 3/1100-G/D	35	●	●	●	●	●	110	73,0	1105	1061	10,8	10,4	34,0	33,0	600	710	480	550	0,90	0,93	4,78	4,96
600437	CDX 3/1500-G/D	50	●	●	●	●	●	161	111	1625	1602	15,9	17,7	53,9	51,4	1000	1200	850	925	1,62	1,72	6,00	6,32
600317	CDX 3/2100-G/D	50	●	●	●	●	●	209	144	2114	2080	20,7	20,4	59,8	58,5	1000	1260	900	1095	1,71	1,85	6,95	7,19
600320	CDX 3/2300-G/D	60	●	●	●	●	●	222	159	2236	2300	21,9	22,5	82,5	79,5	2000	2200	1500	1606	3,23	3,20	7,47	8,60
600323	CDX 3/3200-G/D	70	●	●	●	●	●	344	215	3457	3112	33,9	30,5	114	110	3100	3250	2570	2570	5,23	5,00	6,37	8,00
600486	CDX 3/4700-G/D	80	●	●	●	●	●	469	329	4710	4760	46,2	46,7	149	144	4500	4500	3680	3680	7,13	6,60	6,53	7,00

Single-phase

Code	Type	SIZE	Certifications					Static moment* kgmm		Centrifugal force kg				Weight kg		Max input power W		Power rating W		Max. current A		Ia/In	
			●	○	●	●	●	50Hz	60Hz	50Hz	60Hz	50Hz	60Hz	50Hz	60Hz	50Hz	60Hz	400V 50Hz	460V 60Hz	50Hz	60Hz		
600384	CDX 3/300-G/D	10	●					30,0	22,5	302	326	2,96	3,20	11,5	11,0	280	280	180	200	1,25	2,40	2,48	3,52
600385	CDX 3/500-G/D	20	●					58,0	34,8	584	504	5,72	4,94	17,0	16,0	500	500	340	350	2,30	4,50	3,35	4,22
600387	CDX 3/800-G/D	30	●					74,5	55,9	750	810	7,35	7,94	23,3	22,4	700	750	450	500	3,25	7,00	4,00	4,14

4 poles - 1.500/1.800 rpm

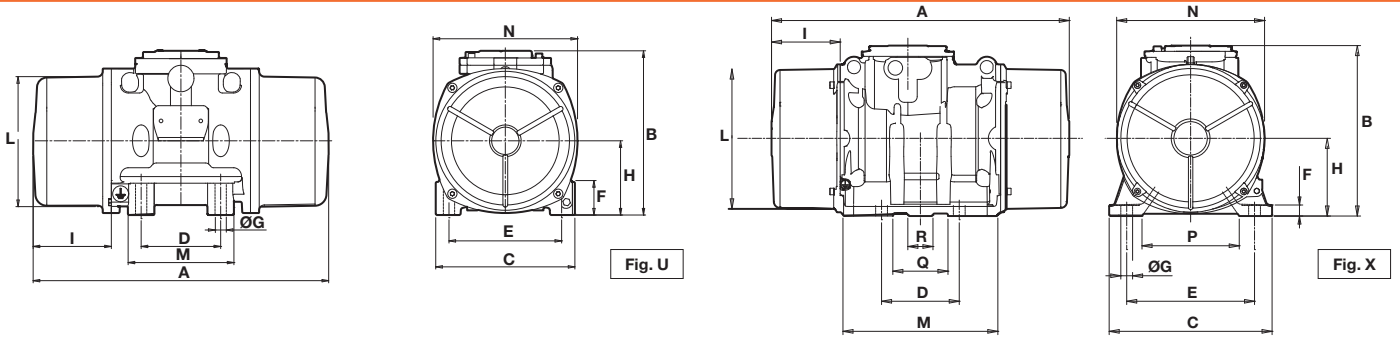
Three-phase

DESCRIPTION			MECHANICAL SPECIFICATIONS												ELECTRICAL SPECIFICATIONS								
Code	Type	SIZE	Certifications					Static moment* kgmm		Centrifugal force kg				Weight kg		Max input power W		Power rating W		Max. current A		Ia/In	
			●	○	●	●	●	50Hz	60Hz	50Hz	60Hz	50Hz	60Hz	50Hz	60Hz	50Hz	60Hz	50Hz	60Hz	400V 50Hz	460V 60Hz	50Hz	60Hz
601409	CDX 15/200-G/D	10	●					84,2	58,8	213	214	2,09	2,10	14,0	13,0	170	170	95	95	0,41	0,40	2,34	2,75
601410	CDX 15/400-G/D	20	●					163	113	412	411	4,04	4,03	21,4	20,0	300	350	215	275	0,60	0,60	3,33	3,50
601411	CDX 15/550-G/D	20	●					219	163	552	592	5,42	5,81	22,8	21,4	300	350	215	275	0,60	0,60	3,33	3,50
601412	CDX 15/700-G/D	30	●					286	209	720	760	7,06	7,46	30,3	29,0	525	665	380	490	0,92	0,98	3,48	3,43
601413	CDX 15/1100-G/D	35	●	●	●	●	●	415	271	1045	982	10,3	9,63	46,0	41,5	520	660	369	442	0,81	0,88	4,65	4,84
601424	CDX 15/1410-G/D	50	●	●	●	●	●	561	400	1413	1449	13,9	14,2	63,4	58,8	750	1000	548	740	1,35	1,50	5,59	5,60
601328	CDX 15/1710-G/D	50	●	●	●	●	●	715	485	1798	1757	17,6	17,2	67,8	65,3	1050	1300	882	1105	1,81	1,90	5,09	5,46
601358	CDX 15/2000-G/D	50	●	●	●	●	●	817	561	2054	2033	20,1	19,9	72,8	66,8	1050	1300	882	1105	1,81	1,90	5,09	5,46
601329	CDX 15/2410-G/D	60	●	●	●	●	●	962	674	2420	2444	23,7	24,0	98,0	92,0	1500	1650	1305	1485	2,95	2,90	7,80	7,76
601330	CDX 15/3810-G/D	70	●	●	●	●	●	1526	1034	3840	3744	37,7	36,7	139	134	2270	2250	1839	1845	3,80	3,50	6,84	8,09
601487	CDX 15/5010-G/D	80	●	●	●	●	●	1990	1364	5007	4941	49,1	48,5	172	165	2800	2800	2100	2100	4,75	4,40	6,74	7,20

Single-phase

Code	Type	SIZE	Certifications					Static moment* kgmm		Centrifugal force kg				Weight kg		Max input power W		Power rating W		Max. current A		Ia/In	
			●	○	●	●	●	50Hz	60Hz	50Hz	60Hz	50Hz	60Hz	50Hz	60Hz	50Hz	60Hz	400V 50Hz	460V 60Hz	50Hz	60Hz		
601409	CDX 15/200-G/D	10	●					84,2	58,8	213	214	2,09	2,10	14,0	13,0	210	230	110	120	1,00	2,00	1,50	1,85
601410	CDX 15/400-G/D	20	●					163	113	412	411	4,04	4,03	21,4	20,0	240	320	120	180	1,20	2,80	2,50	2,50
601401	CDX 15/550-G/D	20	●					219	163	552	592	5,42	5,81	22,8	21,4	240	320	120	180	1,20	2,80	2,50	2,50
601412	CDX 15/700-G/D	30	●					286	209	720	760	7,06	7,46	30,3	29,0	450	550	240	300	2,15	5,15	5,44	3,63

* Working moment = 2 x static moment.



DIMENSIONAL SPECIFICATIONS (mm)

Type	Fig.	A	B	C	D	E	Holes		F	H	I	L	M	N	P	Q	R	Capacitor (µF)		Cable entry
							ØG	N°										220V 50Hz	115V 60Hz	
CDX 3/300-G/D	U	255	191	152	90	125	13	4	28	77,5	54	130	128	150	-	-	-	-	-	NPT 1/2"
CDX 3/500-G/D	U	288	218	167	105	140	13	4	30	90	65	150	140	175	-	-	-	-	-	NPT 1/2"
CDX 3/800-G/D	U	314	231	205	120	170	17	4	45	102	66	177	162	200	-	-	-	-	-	NPT 1/2"
CDX 3/1100-G/D	U	446	249	210	120	170	17	4	52	112	118	192	160	218	-	-	-	-	-	NPT 3/4"
CDX 3/1500-G/D	X	520	279	235	140	190	22	4	18	116	134	210	246	225	140	80	-	-	-	NPT 3/4"
CDX 3/2100-G/D	X	520	279	235	140	190	22	4	18	116	134	210	246	225	140	80	-	-	-	NPT 3/4"
CDX 3/2300-G/D	X	572	312	275	155	225	22	4	22	135	146	239	274	253	169	105	50	-	-	NPT 3/4"
CDX 3/3200-G/D	X	594	343	325	155	255	23,5	4	22	155	137	279	314	295	194	110	50	-	-	NPT 3/4"
CDX 3/4700-G/D	X	638	359	355	180	280	26	4	22	165	154	303	320	320	198	120	50	-	-	NPT 3/4"

Type	Fig.	A	B	C	D	E	Holes		F	H	I	L	M	N	P	Q	R	Capacitor (µF)		Cable entry
							ØG	N°										220V 50Hz	115V 60Hz	
CDX 3/300-G/D	U	255	191	152	90	125	13	4	28	77,5	54	130	128	50	-	-	-	16	25	NPT 1/2"
CDX 3/500-G/D	U	288	218	167	105	140	13	4	30	90	65	150	140	175	-	-	-	12,5	50	NPT 1/2"
CDX 3/800-G/D	U	314	231	205	120	170	17	4	45	102	66	177	162	200	-	-	-	25	90	NPT 1/2"

DIMENSIONAL SPECIFICATIONS (mm)

Type	Fig.	A	B	C	D	E	Holes		F	H	I	L	M	N	P	Q	R	Capacitor (µF)		Cable entry
							ØG	N°										220V 50Hz	115V 60Hz	
CDX 15/200-G/D	U	301	191	152	90	125	13	4	28	77,5	77	130	128	150	-	-	-	-	-	NPT 1/2"
CDX 15/400-G/D	U	350	218	167	105	140	13	4	30	90	96	150	140	175	-	-	-	-	-	NPT 1/2"
CDX 15/550-G/D	U	392	218	167	105	140	13	4	30	90	117	150	140	175	-	-	-	-	-	NPT 1/2"
CDX 15/700-G/D	U	394	231	205	120	170	17	4	45	102	106	177	162	200	-	-	-	-	-	NPT 1/2"
CDX 15/1100-G/D	U	446	249	210	120	170	17	4	52	112	118	192	160	218	-	-	-	-	-	NPT 3/4"
CDX 15/1410-G/D	X	520	279	235	140	190	22	4	18	116	134	210	246	225	140	80	-	-	-	NPT 3/4"
CDX 15/1710-G/D	X	520	279	235	140	190	22	4	18	116	134	210	246	225	140	80	-	-	-	NPT 3/4"
CDX 15/2000-G/D	X	594(50Hz) 520(60Hz)	279	235	140	190	22	4	18	116	171(50Hz) 134(60Hz)	210	246	225	140	80	-	-	-	NPT 3/4"
CDX 15/2410-G/D	X	572	312	275	155	225	22	4	22	135	146	239	274	253	169	105	50	-	-	NPT 3/4"
CDX 15/3810-G/D	X	594	343	325	155	255	23,5	4	22	155	137	279	314	295	194	110	50	-	-	NPT 3/4"
CDX 15/5010-G/D	X	638	359	355	180	280	26	4	22	165	154	303	320	320	198	120	50	-	-	NPT 3/4"

Type	Fig.	A	B	C	D	E	Holes		F	H	I	L	M	N	P	Q	R	Capacitor (µF)		Cable entry
							ØG	N°										220V 50Hz	115V 60Hz	
CDX 15/200-G/D	U	301	191	152	90	125	13	4	28	77,5	77	130	128	150	-	-	-	5	25	NPT 1/2"
CDX 15/400-G/D	U	350	218	167	105	140	13	4	30	90	96	150	140	175	-	-	-	12 \circ +20 \bullet	35	NPT 1/2"
CDX 15/550-G/D	U	392	218	167	105	140	13	4	30	90	117	150	140	175	-	-	-	12 \circ +20 \bullet	35 \circ +10 \bullet	NPT 1/2"
CDX 15/700-G/D	U	394	231	205	120	170	17	4	45	102	106	177	162	200	-	-	-	16 \circ +80 \bullet	40 \circ +120 \bullet	NPT 1/2"

la/In = ratio between start-up current and maximum current. \circ Start-up capacitor / \bullet Running capacitor.
 Several sizes are available with different mounting bolt patterns. Please contact sales office at Italvibras.



6 poles - 1.000/1.200 rpm

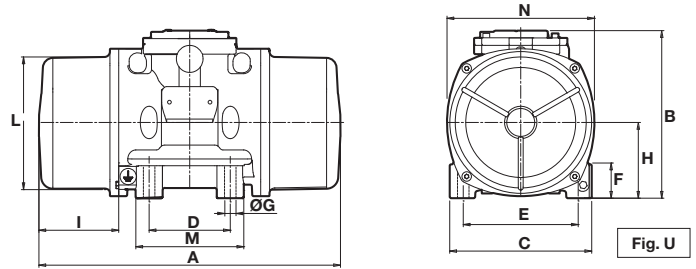
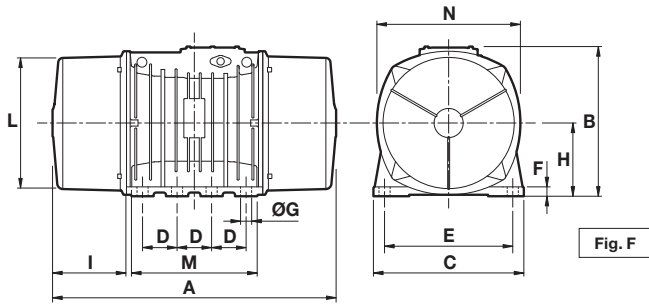
Three-phase

DESCRIPTION			Certifications	MECHANICAL SPECIFICATIONS								ELECTRICAL SPECIFICATIONS									
Code	Type	SIZE		Static moment* kgmm		Centrifugal force kg kN				Weight kg		Max input power W		Power rating W		Max. current A		Ia/In			
			● ○ ● ● ● ●	50Hz	60Hz	50Hz	60Hz	50Hz	60Hz	50Hz	60Hz	50Hz	60Hz	50Hz	60Hz	50Hz	60Hz	400V 50Hz	460V 60Hz	50Hz	60Hz
602315	CDX 10/40-G/D	10	●	30,0	30,0	33,5	48,3	0,33	0,47	11,5	11,5	120	135	50	90	0,30	0,30	1,90	2,07		
602316	CDX 10/100-G/D	10	●	84,2	84,2	94,0	136	0,93	1,33	14,0	14,0	120	135	50	90	0,30	0,30	1,90	2,07		
602317	CDX 10/200-G/D	20	●	163	163	183	264	1,80	2,59	21,4	21,4	185	205	100	120	0,50	0,50	2,72	3,10		
602318	CDX 10/310-G/D	30	●	286	209	321	338	3,15	3,32	30,3	29	350	380	220	270	0,72	0,68	2,63	2,79		
602320	CDX 10/550-G/D	35	● ● ● ●	457	457	512	737	5,02	7,23	47,5	47,5	300	310	220	230	0,57	0,61	3,89	3,77		
602325	CDX 10/810-G/D	50	● ● ● ●	723	561	809	905	7,94	8,88	68,5	63,2	570	680	370	442	1,24	1,30	4,00	3,69		
602274	CDX 10/1110-G/D	50	● ● ● ●	1012	715	1132	1151	11,1	11,3	76,8	69,8	700	870	483	548	1,52	1,65	4,15	4,24		
602277	CDX 10/1610-G/D	60	● ● ● ●	1464	962	1638	1549	16,1	15,2	109	98	1040	1250	738	913	2,09	2,10	4,93	5,24		
602280	CDX 10/2610-G/D	70	● ● ● ●	2326	1720	2601	2747	25,5	26,9	150	136	1725	1800	1470	1470	3,80	3,70	5,40	6,03		
602365	CDX 10/3810-G/D	80	● ● ● ●	3422	2380	3826	3831	37,5	37,6	205	187	2100	2300	1700	1850	4,75	4,75	4,19	4,67		
602201	CDX 10/22000-G	110	●	20025	12533	22386	20208	220	198	928	898	15600	19000	11800	14700	25,2	25,5	5,70	5,88		

8 poles - 750/900 rpm

DESCRIPTION			Certifications	MECHANICAL SPECIFICATIONS								ELECTRICAL SPECIFICATIONS									
Code	Type	SIZE		Static moment* kgmm		Centrifugal force kg kN				Weight kg		Max input power W		Power rating W		Max. current A		Ia/In			
			● ○ ● ● ● ●	50Hz	60Hz	50Hz	60Hz	50Hz	60Hz	50Hz	60Hz	50Hz	60Hz	50Hz	60Hz	400V 50Hz	460V 60Hz	50Hz	60Hz		
602576	CDX 075/150-G/D	20	●	163	163	104	149	1,02	1,46	21,4	21,4	230	250	110	120	0,85	0,76	2,13	2,11		
602577	CDX 075/250-G/D	30	●	286	286	181	260	1,76	2,55	30,3	30,3	350	380	190	210	1,10	1,05	2,03	2,29		
602578	CDX 075/400-G/D	35	● ● ● ●	457	457	288	415	2,83	4,07	47,5	47,5	300	300	150	150	0,57	0,58	2,47	2,50		
602581	CDX 075/660-G/D	50	● ● ● ●	723	723	456	656	4,47	6,44	68,5	68,5	340	340	184	184	0,87	0,90	2,87	3,11		
602552	CDX 075/910-G/D	50	● ● ● ●	1012	1012	637	917	6,25	9,00	74,8	74,8	420	500	231	260	1,00	1,10	2,91	2,91		
602555	CDX 075/1310-G/D	60	● ● ● ●	1464	1464	922	1327	9,04	13,00	109	109	750	850	480	560	1,52	1,90	3,68	3,05		
602558	CDX 075/2110-G/D	70	● ● ● ●	2326	2326	1463	2107	14,4	20,7	150	150	1480	1500	1036	1100	3,52	3,45	3,58	3,91		
602602	CDX 075/3110-G/D	80	● ● ● ●	3421	3421	2152	3099	21,1	30,4	205	205	1850	2100	1320	1400	4,85	5,00	4,21	4,70		
602513	CDX 075/22000-G	110	●	28633	24508	18005	22192	177	218	1015	981	10000	13000	8100	10300	21,4	22,0	6,97	5,50		

* Working moment = 2 x static moment.



DIMENSIONAL SPECIFICATIONS (mm)

Type	Fig.	A	B	C	D	E	Holes		F	H	I	L	M	N	P	Q	R	Cable entry
							ØG	N°										
CDX 10/40-G/D	U	255	191	152	90	125	13	4	28	77,5	54	130	128	150	-	-	-	NPT 1/2"
CDX 10/100-G/D	U	301	191	152	90	125	13	4	28	77,5	77	130	128	150	-	-	-	NPT 1/2"
CDX 10/200-G/D	U	350	218	167	105	140	13	4	30	90	96	150	140	175	-	-	-	NPT 1/2"
CDX 10/310-G/D	U	394	231	205	120	170	17	4	45	102	106	177	162	200	-	-	-	NPT 1/2"
CDX 10/550-G/D	U	446	249	210	120	170	17	4	52	112	118	192	160	218	-	-	-	NPT 3/4"
CDX 10/810-G/D	X	520	279	235	140	190	22	4	18	116	134	210	246	225	140	80	-	NPT 3/4"
CDX 10/1110-G/D	X	594(50Hz) 520(60Hz)	279	235	140	190	22	4	18	116	171(50Hz) 134(60Hz)	210	246	225	140	80	-	NPT 3/4"
CDX 10/1610-G/D	X	634(50Hz) 572(60Hz)	312	275	155	225	22	4	22	135	177(50Hz) 146(60Hz)	239	274	253	169	105	50	NPT 3/4"
CDX 10/2610-G/D	X	676	343	325	155	255	23,5	4	22	155	178	279	314	295	194	110	50	NPT 3/4"
CDX 10/3810-G/D	X	734	359	355	180	280	26	4	22	165	202	303	320	320	198	120	50	NPT 3/4"
CDX 10/22000-G	F	1150	614	610	140	520	45	8	38	297	297,5	542	510	582	-	-	-	NPT 1"

DIMENSIONAL SPECIFICATIONS (mm)

Type	Fig.	A	B	C	D	E	Holes		F	H	I	L	M	N	P	Q	R	Cable entry
							ØG	N°										
CDX 075/150-G/D	U	350	218	167	105	140	13	4	30	90	96	150	140	175	-	-	-	NPT 1/2"
CDX 075/250-G/D	U	394	231	205	120	170	17	4	45	102	106	177	162	200	-	-	-	NPT 1/2"
CDX 075/400-G/D	U	446	249	210	120	170	17	4	52	112	118	192	160	218	-	-	-	NPT 3/4"
CDX 075/660-G/D	X	520	279	235	140	190	22	4	18	116	134	210	246	225	140	80	-	NPT 3/4"
CDX 075/910-G/D	X	594	279	235	140	190	22	4	18	116	171	210	246	225	140	80	-	NPT 3/4"
CDX 075/1310-G/D	X	634	312	275	155	225	22	4	22	135	177	239	274	253	169	105	50	NPT 3/4"
CDX 075/2110-G/D	X	676	343	325	155	255	23,5	4	22	155	178	279	314	295	194	110	50	NPT 3/4"
CDX 075/3110-G/D	X	734	359	355	180	280	26	4	22	165	202	303	320	320	198	120	50	NPT 3/4"
CDX 075/22000-G	F	1150	614	610	140	520	45	8	38	297	297,5	542	510	582	-	-	-	NPT 1"

Ia/I_n = ratio between start-up current and maximum current.

Several sizes are available with different mounting bolt patterns. Please contact sales office at Italtvibras.

