

Uniform distribution of vibration along the beam of the trestle

Suitable for speeds up to 6000 rpm

Standard designs up to 1.2 to 1.8 metres

Quieter alternative to vibrating tables

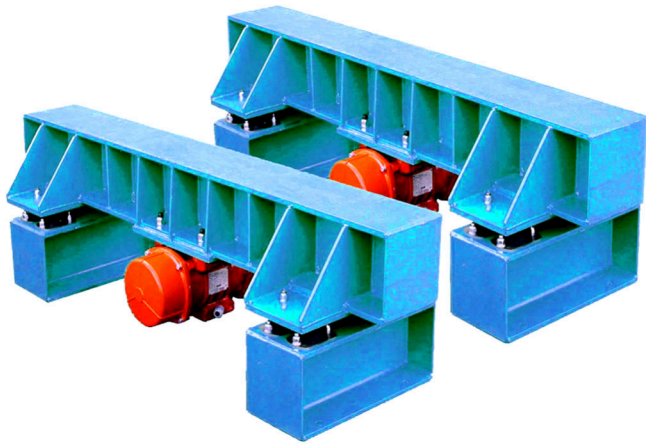
Capable of withstanding heavy loads and can be arranged in multiples

VIBTEC AUSTRALIA

Unit 2, 64 Baile Road, Canning Vale, WA 6155, Perth Australia

Tel: +61 (0)8 6559 7470 Email: info@vibtec.com.au Web: www.vibtec.com.au

VIBRATING TRESTLES WITH VIBRATORS AND ODE CONTROLLER



TR Vibrating Trestle with MVSI

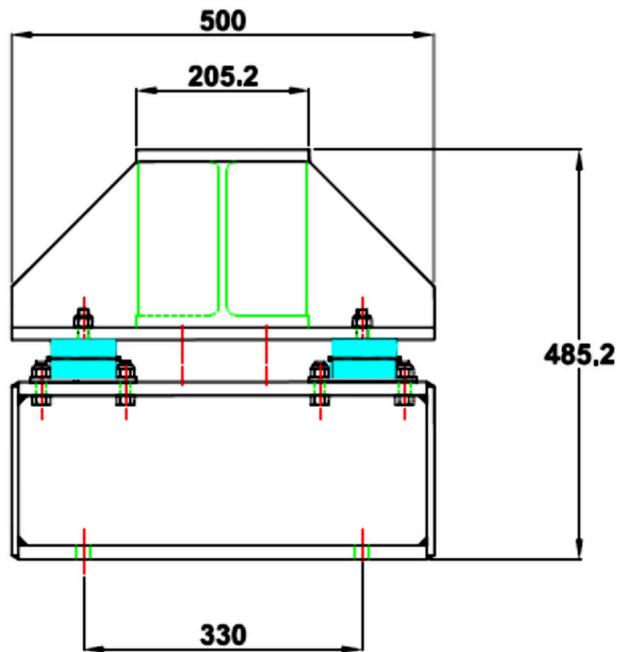
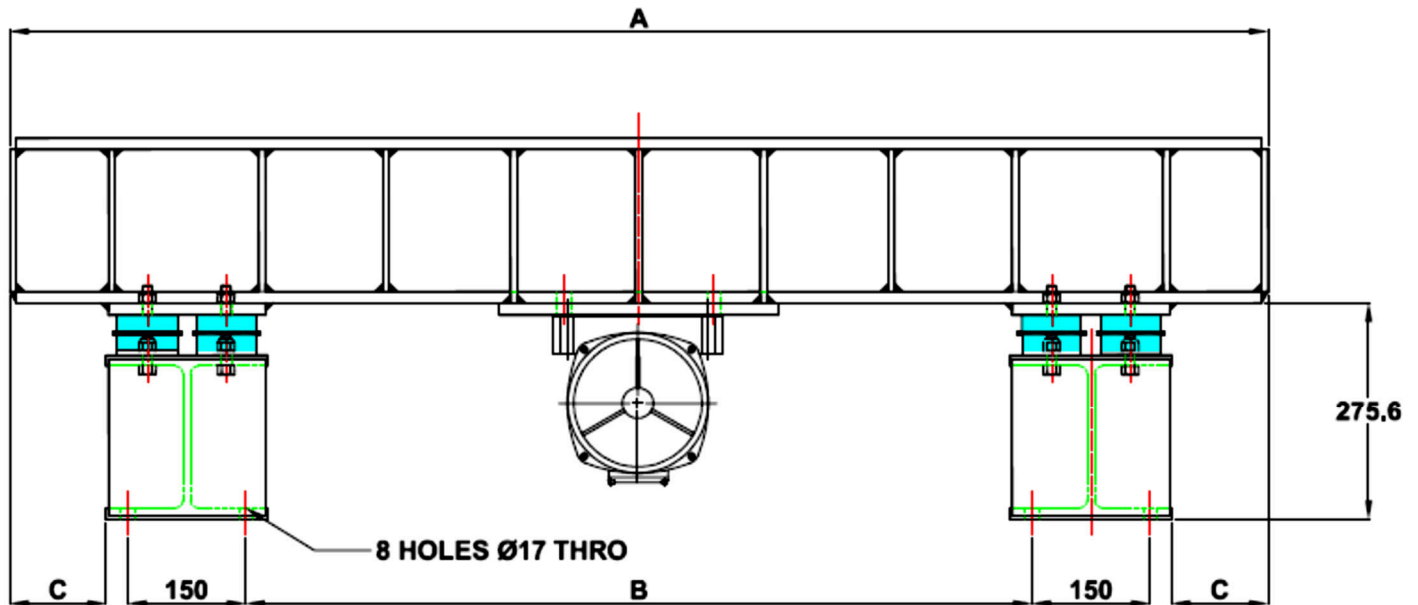
MVSI Vibrator
(Leaflet L0001)

ODE Controller
(Leaflet L0100)

Specification	Size/cm	Vibrator		Amps	Controller	Input Voltage	Weight
		Model	Qty				
TR1200	1200 x 500mm	-	-	-	-	-	220.0kg
TR1200/MVSI3/800/ODE	1200 x 500mm	MVSI 3/800	1	1.10	ODE	380/415/3/50	239.6kg
TR1200/MVSI3/1300/ODE	1200 x 500mm	MVSI 3/1300	1	2.10	ODE	380/415/3/50	247.0kg
TR1200/MVSI3/1800/ODE	1200 x 500mm	MVSI 3/1800	1	3.30	ODE	380/415/3/50	253.0kg
TR1400	1400 x 500mm	-	-	-	-	-	238.0kg
TR1400/MVSI3/800/ODE	1400 x 500mm	MVSI 3/800	1	1.10	ODE	380/415/3/50	257.6kg
TR1400/MVSI3/1300/ODE	1400 x 500mm	MVSI 3/1300	1	2.10	ODE	380/415/3/50	265.0kg
TR1400/MVSI3/1500/ODE	1400 x 500mm	MVSI 3/1500	1	2.10	ODE	380/415/3/50	263.3kg
TR1400/MVSI3/1800/ODE	1400 x 500mm	MVSI 3/1800	1	3.30	ODE	380/415/3/50	271.0kg
TR1600	1600 x 500mm	-	-	-	-	-	263.0kg
TR1600/MVSI3/1300/ODE	1600 x 500mm	MVSI 3/1300	1	2.10	ODE	380/415/3/50	290.0kg
TR1600/MVSI3/1600/ODE	1600 x 500mm	MVSI 3/1600	1	2.30	ODE	380/415/3/50	295.0kg
TR1600/MVSI3/1800/ODE	1600 x 500mm	MVSI 3/1800	1	3.30	ODE	380/415/3/50	296.0kg
TR1600/MVSI3/2310/ODE	1600 x 500mm	MVSI 3/2310	1	3.50	ODE	380/415/3/50	312.6kg
TR1600	1600 x 500mm	-	-	-	-	-	275.0kg
TR1600/MVSI3/1300/ODE	1600 x 500mm	MVSI 3/1300	1	2.10	ODE	380/415/3/50	302.0kg
TR1600/MVSI3/1600/ODE	1600 x 500mm	MVSI 3/1600	1	2.30	ODE	380/415/3/50	307.0kg
TR1600/MVSI3/1800/ODE	1600 x 500mm	MVSI 3/1800	1	3.30	ODE	380/415/3/50	308.0kg
TR1600/MVSI3/2310/ODE	1600 x 500mm	MVSI 3/2310	1	3.50	ODE	380/415/3/50	324.6kg

In order to determine the correct configuration of Vibrating Trestle please advise materials/ container to be used, its mass and size, and material in the container.

DIMENSIONS



MODEL	A mm	B mm	C mm	Max load Per trestle kgs	Beam Weight Less vibrator kgs	Total weight Less vibrator kgs
TR 12	1200	850	NIL	1500	140	220
TR 14	1400	850	100	1500	158	238
TR 16	1600	1000	125	1500	183	263
TR 18	1800	1100	175	1500	195	275



MVSI

The most extensive range of industrial electric vibrators on the market. Approved for potentially explosive dust atmospheres (ATEX, IECEx, GOST). Range from 0 to 67200 lbs.



MVSI-TS

MVSI industrial electric vibrators with split covers.



MVSI-ACC

MVSI industrial electric vibrators for axial coupling.



MVSI-E

"Ex e" increased safety electric vibrators for potentially explosive atmosphere (ATEX, IECEx, GOST). Range up to 24550 lbs.



MVLS

Low Speed electric industrial vibrators. Range up to 18000 lbs centrifugal force. RPM from 1200 to 500.



CDX

"Ex d" explosion-proof industrial electric vibrators for operation in potentially explosive atmospheres (UL, CSA, ATEX, IECEx, GOST). Range up to 49250 lbs.



MVTX

"Ex d" explosion-proof screen vibrators for operation in potentially explosive atmospheres. Bear UL, cUL, ATEX and IECEx marking. Range up to 17450 lbs.



MVCC

Direct current vibrators (12 or 24 V) designed for continuous duty on mobile machines. Range from 0 to 3350 lbs.



MVSS

Electric industrial vibrators in stainless steel AISI 316L for the chemical, petroleum chemistry, food, pharmaceutical processing sectors. Range from 0 to 9520 lbs.



MICRO

Electric vibrators designed for continuous service in processes where a lower centrifugal force is required. Range from 0 to 143 lbs.



M3

Electric industrial vibrators with multi-holes mounting feet and minimum dimensions. Range up to 684 lbs.



ITV-VR

Variable high frequency electric vibrators with fixed or cradle connection for industrial building sector. Range from 0 to 19800 lbs.



ITVAF

High frequency electric vibrators with fixed or cradle connection for industrial building sector. Range from 0 to 19800 lbs.



VU

Unidirectional linear motion exciters designed for medium and large size vibrating machines. Range up to 6400 in-lbs (102000 lbs).



MTF

Vertical electric vibrators with side flange. Range from 0 to 5750 lbs.



MTF-E

"Ex e" increased safety vertical electric vibrators with side flange for potentially explosive atmosphere (ATEX, IECEx, GOST).



VB

Vertical electric vibrators with double tapered flange. Range from 0 to 11000 lbs.



VB-E

Vertical electric vibrators with side flange. Range from 0 to 5750 lbs.



MVB

Vertical electric vibrators with side flange and shaft projecting on both sides. Range from 0 to 15400 lbs.



MVB-FLC

Vertical electric vibrators with central flange and shaft projecting on both sides. Range from 0 to 15400 lbs.



MVB-E

"Ex e" increased safety vertical electric vibrators with side flange and shaft projecting on both sides, for potentially explosive atmosphere (ATEX, IECEx, GOST).



MVB-E-FLC

"Ex e" increased safety vertical electric vibrators with central flange and shaft projecting on both sides, for potentially explosive atmosphere (ATEX, IECEx, GOST).

VIBTEC
VIBRATECHNIQUES LTD

Vibration Solutions