

Flat top tables

Test cube tables

Variety of sizes to choose from

Vibration is provided by electric or pneumatic external vibrators

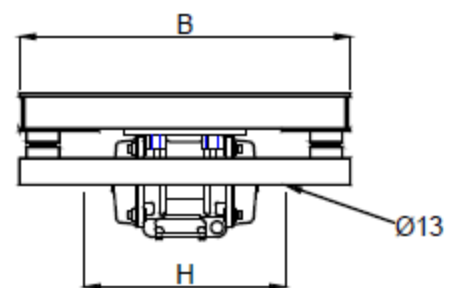
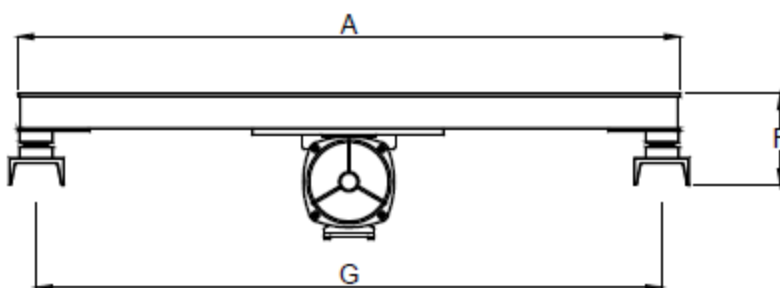
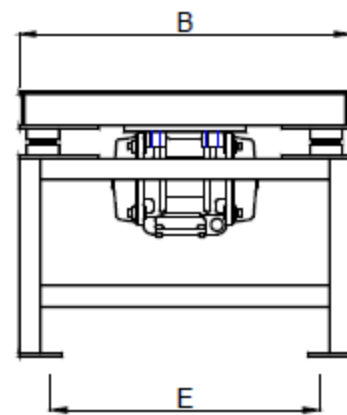
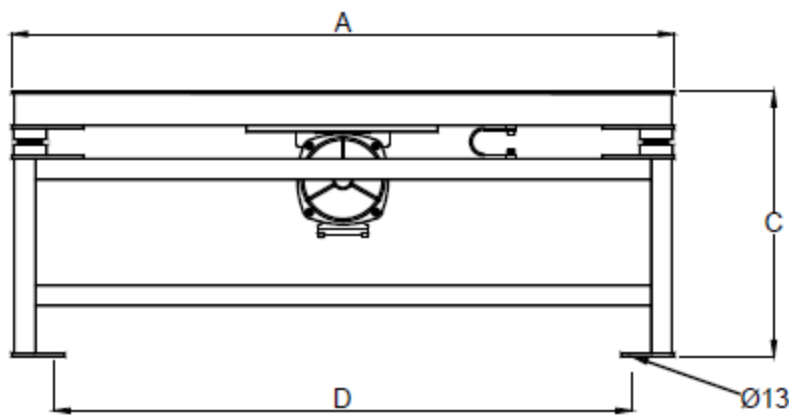
Two metres of cable supplied from Vibrators unless otherwise specified,

Cables and Plugs can be supplied to specified requirements

Anti Vibration mountings are incorporated in all models

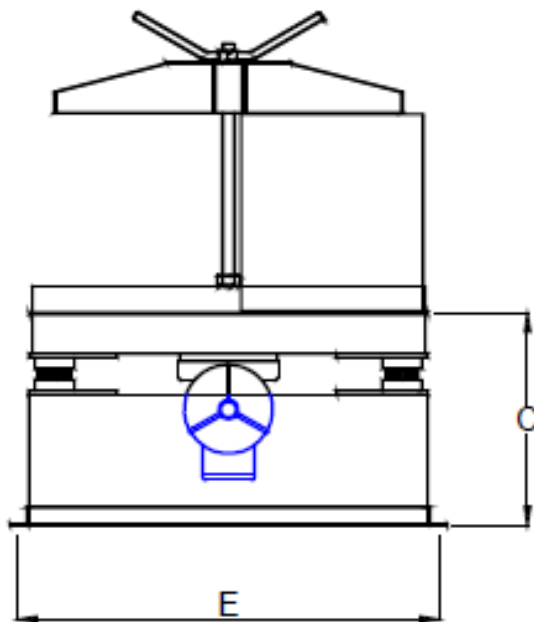
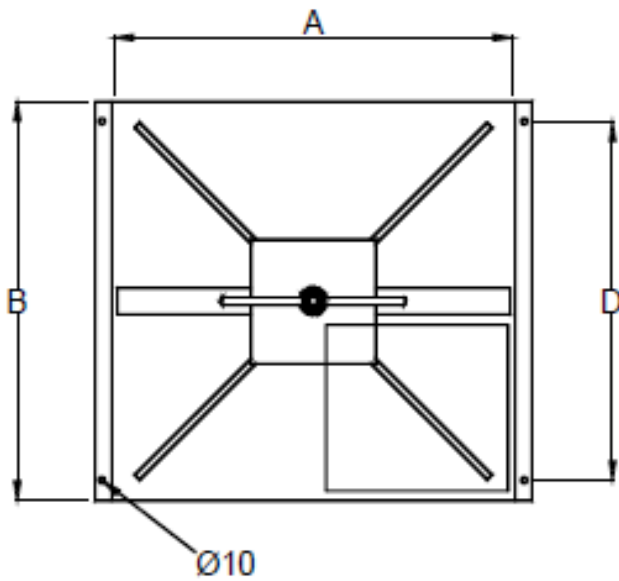
Performance characteristics can be selected to meet most applications

FLAT TOP TABLE AND STAND



DIMENSIONS

Model	Weight of Table Kgs	A	B	Stand			Cross members			J	Leaflet
				C	D	E	F	G	H		
FTT 300 x 300	6	300	300	260	240	330	N/a	N/a	N/a	13	L0231
FTT 610 x 610	30	600	600	500	440	480	172	530	330	13	L0232
FTT 1250 x 625	71	1250	625	500	1090	505	172	1180	380	13	L0233
FTT 1500 x 900	145	1500	900	500	1340	780	214	1430	1230	13	L0234
FTT 2000 x 1000	190	2000	1000	500	1840	880	214	1930	1730	13	L0235



Standards require that specimens are cast in accurately machined Cube Moulds. The moulds should be capable of withstanding heavy usage without suffering distortion. It is important that these tolerances can be maintained to ensure consistent test results. A calibration service is available.

CAST IRON FOUR PART CUBE MOULD



CAST IRON TWO PART CUBE MOULD



PLASTIC CUBE MOULD (Leaflet L7080)



DIMENSIONS

Model	A	B	C	D	E	F	Number of Moulds
TCT 610 x 305	610	305	326	250	645	10	2
TCT 610 x 610	610	610	326	548	645	10	4

VIBTEC AUSTRALIA

Unit 2, 64 Baile Road, Canning Vale, WA 6155, Perth Australia

Tel: +61 (0)8 6559 7470 Email: info@vibtec.com.au Web: www.vibtec.com.au



MVSI

The most extensive range of industrial electric vibrators on the market. Approved for potentially explosive dust atmospheres (ATEX, IECEx, GOST). Range from 0 to 67200 lbs.



MVSI-TS

MVSI industrial electric vibrators with split covers.



MVSI-ACC

MVSI industrial electric vibrators for axial coupling.



MVSI-E

"Ex e" increased safety electric vibrators for potentially explosive atmosphere (ATEX, IECEx, GOST). Range up to 24550 lbs.



MVLS

Low Speed electric industrial vibrators. Range up to 18000 lbs centrifugal force. RPM from 1200 to 500.



CDX

"Ex d" explosion-proof industrial electric vibrators for operation in potentially explosive atmospheres (UL, CSA, ATEX, IECEx, GOST). Range up to 49250 lbs.



MVTX

"Ex d" explosion-proof screen vibrators for operation in potentially explosive atmospheres. Bear UL, cUL, ATEX and IECEx marking. Range up to 17450 lbs.



MVCC

Direct current vibrators (12 or 24 V) designed for continuous duty on mobile machines. Range from 0 to 3350 lbs.



MVSS

Electric industrial vibrators in stainless steel AISI 316L for the chemical, petroleum chemistry, food, pharmaceutical processing sectors. Range from 0 to 9520 lbs.



MICRO

Electric vibrators designed for continuous service in processes where a lower centrifugal force is required. Range from 0 to 143 lbs.



M3

Electric industrial vibrators with multi-holes mounting feet and minimum dimensions. Range up to 684 lbs.



ITV-VR

Variable high frequency electric vibrators with fixed or cradle connection for industrial building sector. Range from 0 to 19800 lbs.



ITVAF

High frequency electric vibrators with fixed or cradle connection for industrial building sector. Range from 0 to 19800 lbs.



VU

Unidirectional linear motion exciters designed for medium and large size vibrating machines. Range up to 6400 in-lbs (102000 lbs).



MTF

Vertical electric vibrators with side flange. Range from 0 to 5750 lbs.



MTF-E

"Ex e" increased safety vertical electric vibrators with side flange for potentially explosive atmosphere (ATEX, IECEx, GOST).



VB

Vertical electric vibrators with double tapered flange. Range from 0 to 11000 lbs.



VB-E

Vertical electric vibrators with side flange. Range from 0 to 5750 lbs.



MVB

Vertical electric vibrators with side flange and shaft projecting on both sides. Range from 0 to 15400 lbs.



MVB-FLC

Vertical electric vibrators with central flange and shaft projecting on both sides. Range from 0 to 15400 lbs.



MVB-E

"Ex e" increased safety vertical electric vibrators with side flange and shaft projecting on both sides, for potentially explosive atmosphere (ATEX, IECEx, GOST).



MVB-E-FLC

"Ex e" increased safety vertical electric vibrators with central flange and shaft projecting on both sides, for potentially explosive atmosphere (ATEX, IECEx, GOST).