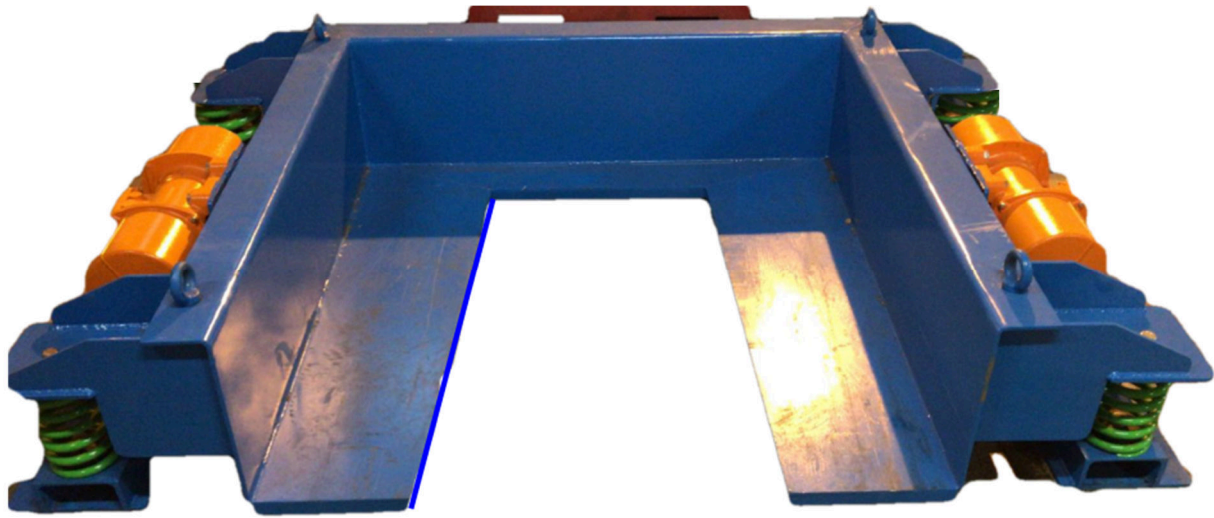


VIBRATING TABLES PALLET COMPACTION



Custom designed

When ordering state pallet size and opening, whether using pallet truck or fork truck

Ideal for standard 1140 x 1140 Pallets and Euro 2 & 3 Pallets using a pallet truck

PALLET VIBRATING TABLE WITH VIBRATORS AND VSC CONTROLLER

Specification	Size/cm	Vibrator (x2)	Amps	Controller	Input Voltage	Weight
PCT1300x1300	125 x 130	-	-	-	-	408kg
PCT1300x1300/MVSI10/1400	125 x 130	MVSI 10/1400	1.80	104694	380/415/3/50	540kg

In order to determine the correct configuration of Vibrating Table please advise type of pallet or palletised container to be used, its mass and size, and material in the container.

Pallet Design and suitability for PCT Vibrating Table

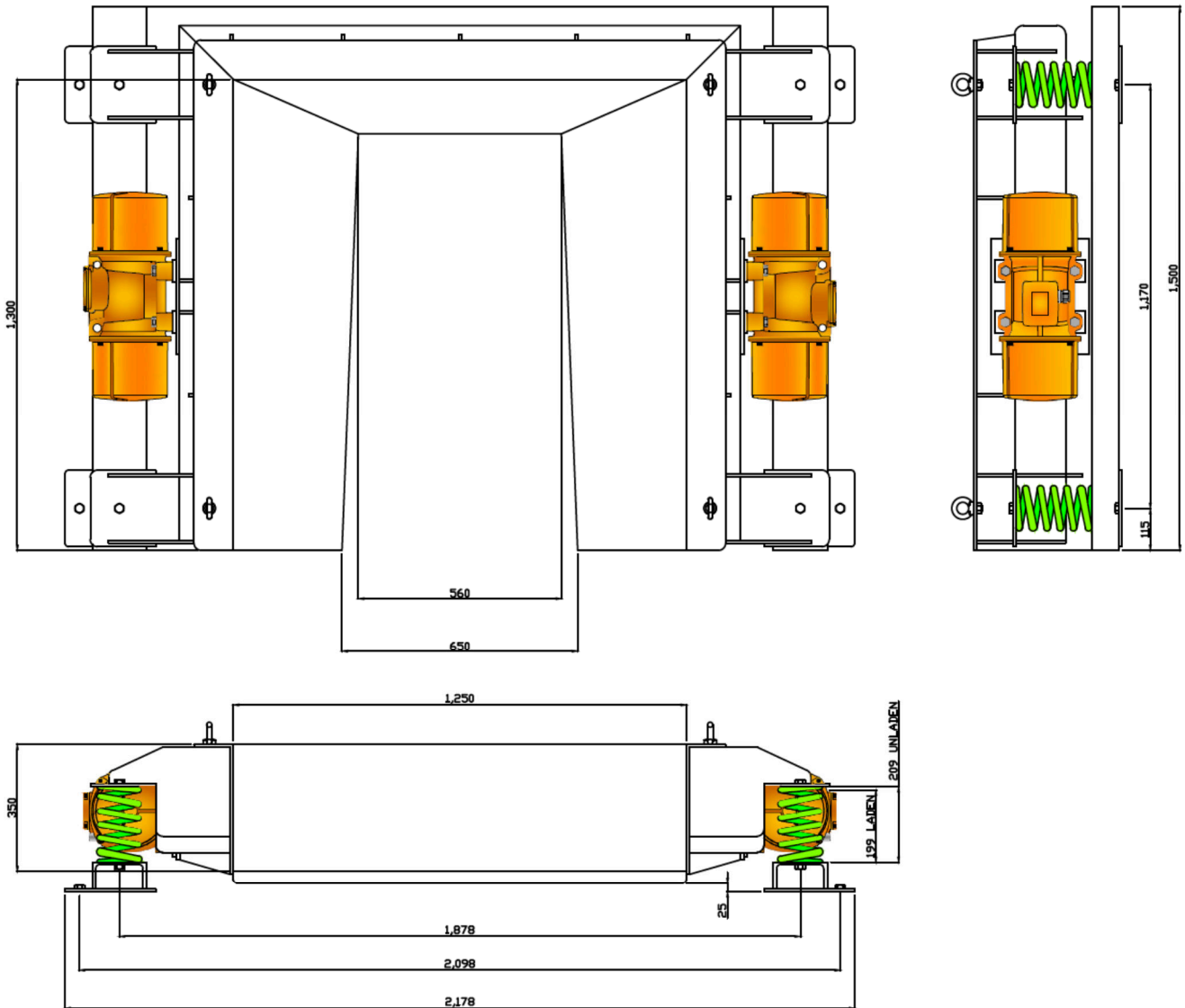
Using Pallet Truck or Fork Truck			Using Fork Truck only		
Euro Ref	Width x Length	Euro (note opening width)	Reference	Width x Length	
Euro 2	1200 x 1000			1000 x 1200	
Euro 3	1000 x 1200			800 x 1200	
				1140 x 1140	
			Euro/Euro 1	800 x 1200	




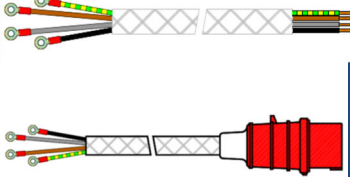
VIBTEC AUSTRALIA

Unit 2, 64 Baile Road, Canning Vale, WA 6155, Perth Australia

Tel: +61 (0)8 6559 7470 Email: info@vibtec.com.au Web: www.vibtec.com.au

DIMENSIONS 022082



MVSI Electric Vibrator	VSC Controller	Springs	Cable & Plugs
			
Leaflet L0001	Leaflet L0100	Leaflet L0161	Leaflet L0180



Air Freight Pallet Vibrating Table

PALLET TYPES

Care must be taken when designing table ensure the correct type of pallet is used or the design of pallet is suitable for the table. With correct fork truck entry.

<p>Two Way Entry Reversible</p> 	<p>Two Way Entry Close boarded, No Base Board</p> 	<p>Two Way Entry Wing Type</p> 
<p>Four Way Entry Close Boarded, 3 Base</p> 	<p>1200 x 800 Euro Pallet</p> 	<p>Four Way Entry Perimeter Base</p> 
<p>Four Way Entry Wing Type</p> 	<p>Four Way Entry Close Boarded, Perimeter Base</p> 	<p>Four Way Entry Open Boarded, 3 Base</p> 



MVSI

The most extensive range of industrial electric vibrators on the market. Approved for potentially explosive dust atmospheres (ATEX, IECEx, GOST). Range from 0 to 67200 lbs.



MVSI-TS

MVSI industrial electric vibrators with split covers.



MVSI-ACC

MVSI industrial electric vibrators for axial coupling.



MVSI-E

"Ex e" increased safety electric vibrators for potentially explosive atmosphere (ATEX, IECEx, GOST). Range up to 24550 lbs.



MVLS

Low Speed electric industrial vibrators. Range up to 18000 lbs centrifugal force. RPM from 1200 to 500.



CDX

"Ex d" explosion-proof industrial electric vibrators for operation in potentially explosive atmospheres (UL, CSA, ATEX, IECEx, GOST). Range up to 49250 lbs.



MVTX

"Ex d" explosion-proof screen vibrators for operation in potentially explosive atmospheres. Bear UL, cUL, ATEX and IECEx marking. Range up to 17450 lbs.



MVCC

Direct current vibrators (12 or 24 V) designed for continuous duty on mobile machines. Range from 0 to 3350 lbs.



MVSS

Electric industrial vibrators in stainless steel AISI 316L for the chemical, petroleum chemistry, food, pharmaceutical processing sectors. Range from 0 to 9520 lbs.



MICRO

Electric vibrators designed for continuous service in processes where a lower centrifugal force is required. Range from 0 to 143 lbs.



M3

Electric industrial vibrators with multi-holes mounting feet and minimum dimensions. Range up to 684 lbs.



ITV-VR

Variable high frequency electric vibrators with fixed or cradle connection for industrial building sector. Range from 0 to 19800 lbs.



ITVAF

High frequency electric vibrators with fixed or cradle connection for industrial building sector. Range from 0 to 19800 lbs.



VU

Unidirectional linear motion exciters designed for medium and large size vibrating machines. Range up to 6400 in-lbs (102000 lbs).



MTF

Vertical electric vibrators with side flange. Range from 0 to 5750 lbs.



MTF-E

"Ex e" increased safety vertical electric vibrators with side flange for potentially explosive atmosphere (ATEX, IECEx, GOST).



VB

Vertical electric vibrators with double tapered flange. Range from 0 to 11000 lbs.



VB-E

Vertical electric vibrators with side flange. Range from 0 to 5750 lbs.



MVB

Vertical electric vibrators with side flange and shaft projecting on both sides. Range from 0 to 15400 lbs.



MVB-FLC

Vertical electric vibrators with central flange and shaft projecting on both sides. Range from 0 to 15400 lbs.



MVB-E

"Ex e" increased safety vertical electric vibrators with side flange and shaft projecting on both sides, for potentially explosive atmosphere (ATEX, IECEx, GOST).



MVB-E-FLC

"Ex e" increased safety vertical electric vibrators with central flange and shaft projecting on both sides, for potentially explosive atmosphere (ATEX, IECEx, GOST).

VIBTEC
VIBRATECHNIQUES LTD
Vibration Solutions