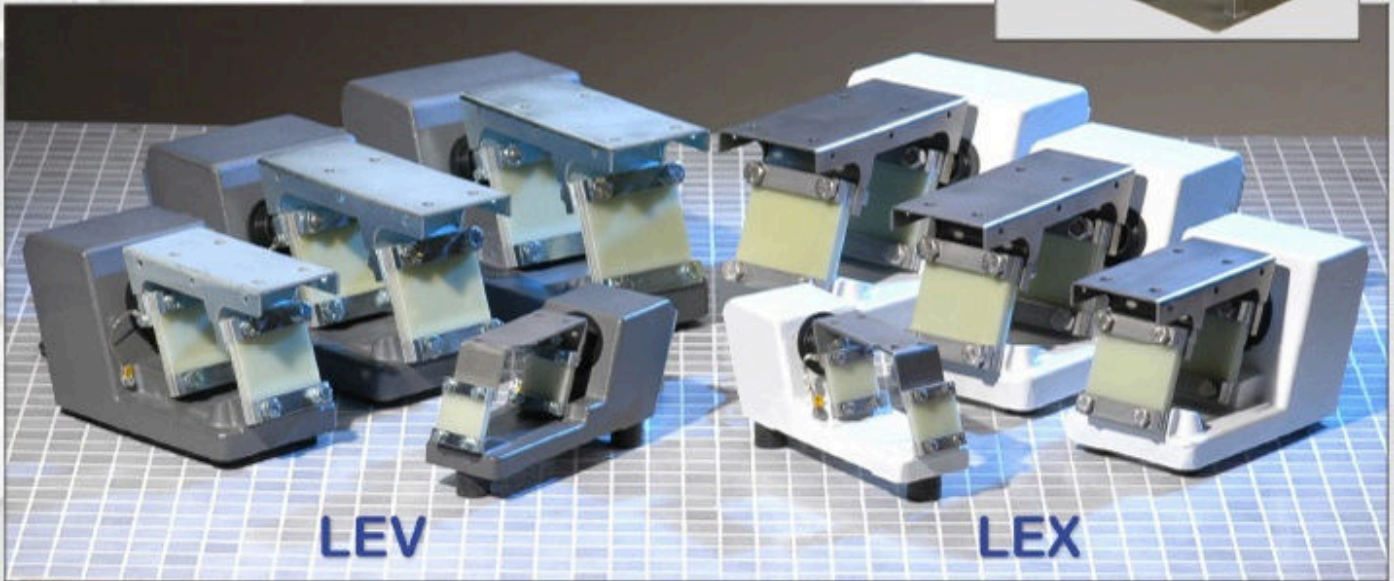


Electromagnetic Linear Feeders



Answers to standards more pointed of the **FOOD-PROCESSING INDUSTRY, PHARMACEUTICS, CHEMICAL, etc.**

POLYURETHANE Revetment FDA agreement (only on LEX series)

Electromagnetic **IMPERVIOUS** system IP67

Fibreglass springs **LIFETIME GUARANTEED**

All metallic pieces in **STAINLESS STEEL** (only on LEX series)

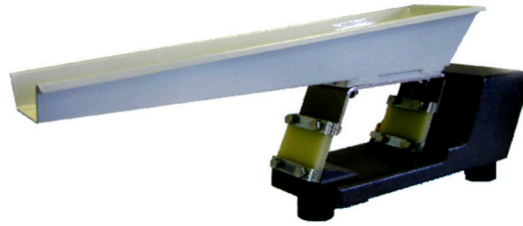
Optional:

Certifications Ex II 2 G D / Ex e II T4 & Ex tD A21 IP67 T109 °C

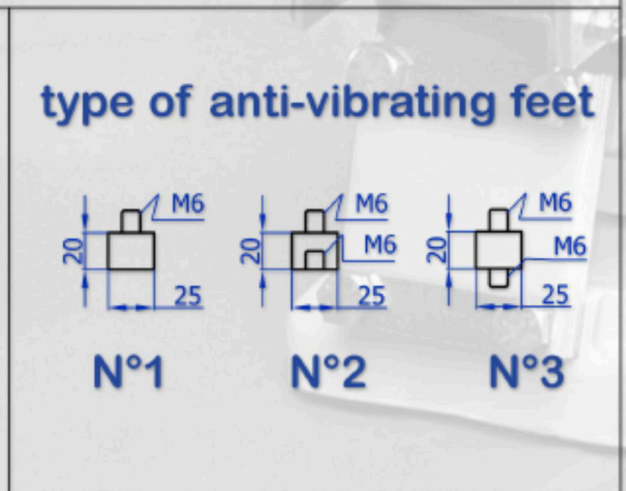
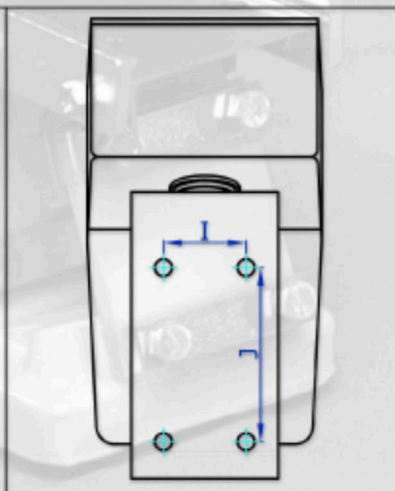
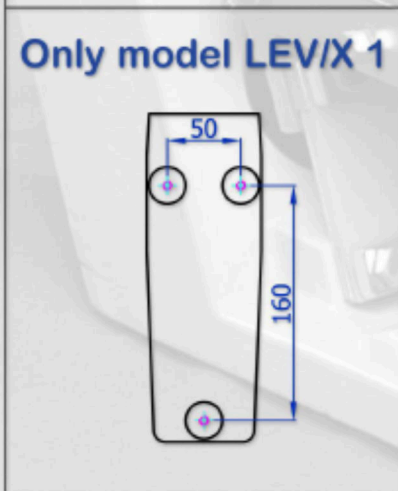
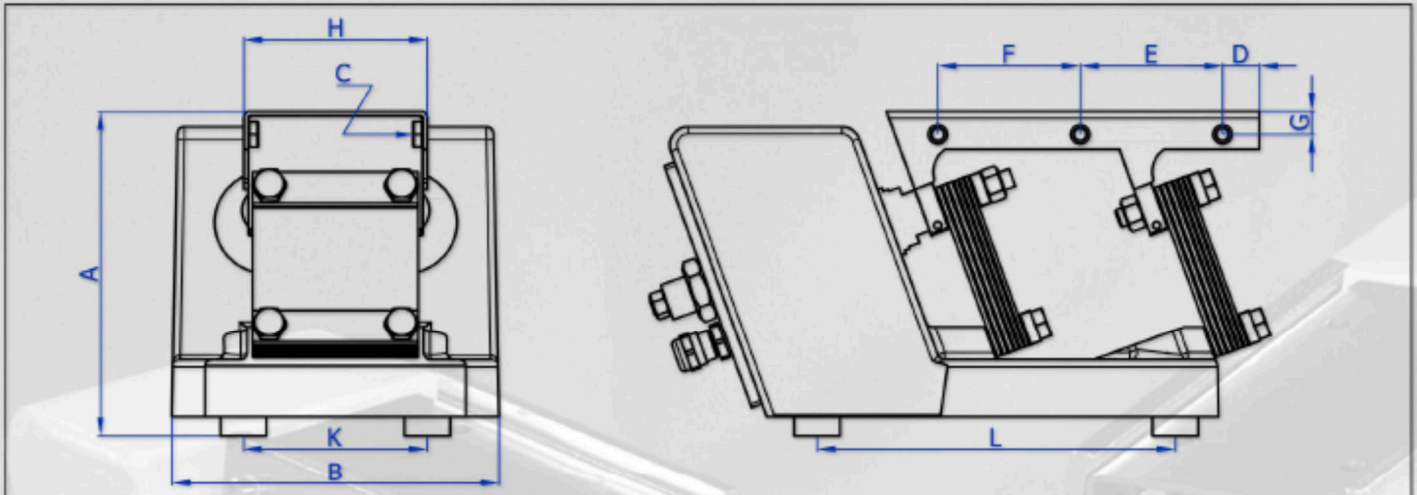
VIBTEC AUSTRALIA

Unit 2, 64 Baile Road, Canning Vale, WA 6155, Perth Australia

Tel: +61 (0)8 6559 7470 Email: info@vibtec.com.au Web: www.vibtec.com.au



TECHNICAL CHARACTERISTICS AND DIMENSIONS OF THE UNITS



MODEL	WEIGHT	A	B	C	D	E	F	G	H	I	J	K	L
LE 1	4.6 kg	110 ±2	75	NA	NA	NA	NA	NA	40	25	76	draw	draw
LE 2	13.1 kg	145 ±2	122	M8	15	65	50	12	80	45	95	75 80	142
LE 3	19.1 kg	170 ±2	144	M10	20	77.5	77.5	12.6	90	45	120	90	193
LE 4	26.2 kg	175 ±2	178	M10	20	77.5	77.5	12.6	100	60	120	100 120	195

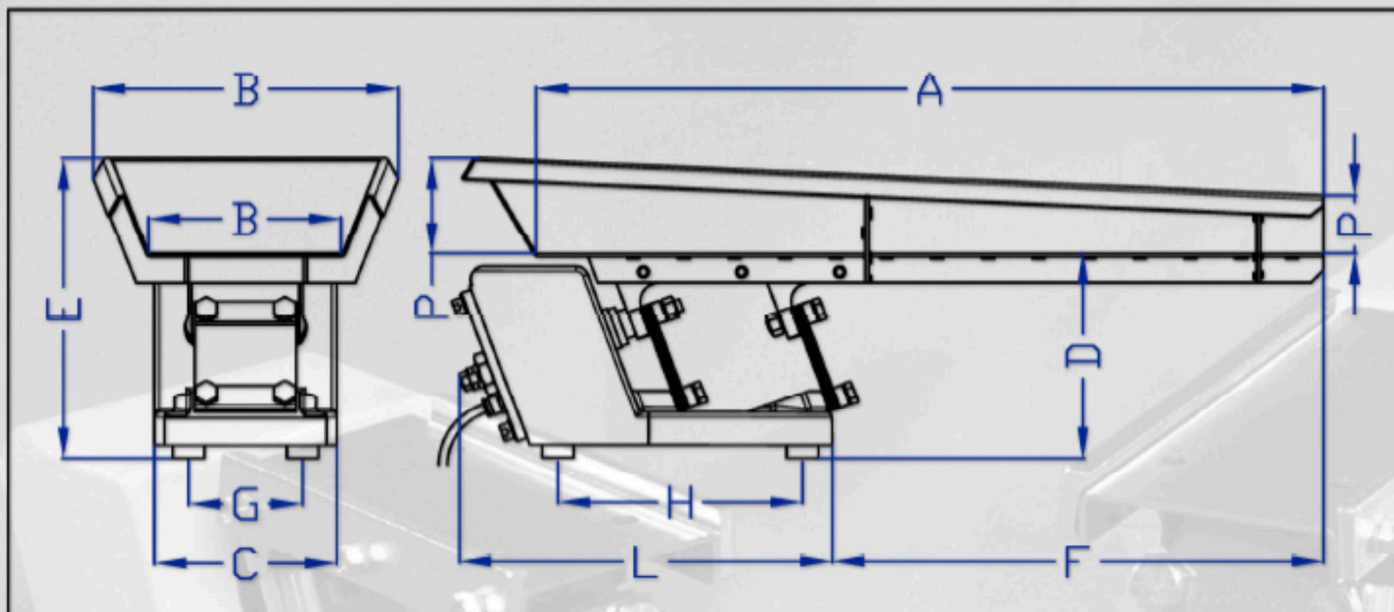
Dimensions in mm.

VIBTEC AUSTRALIA

Unit 2, 64 Baile Road, Canning Vale, WA 6155, Perth Australia

Tel: +61 (0)8 6559 7470 Email: info@vibtec.com.au Web: www.vibtec.com.au

DIMENSIONS OF THE STANDARD TRAYS



MODEL	A	B	C	D	E	F	G	H	L	P
LEV/X 1	305	93 40	75	118	180	120	50	160	230	50/25
LEV/X 2	500	194 125	122	142	202	313	75 80	142	248	60/45
LEV/X 3	700	241 150	144	168	252	468	90	193	298	80/50
LEV/X 4	800	301 200	178	180	267	545	100 120	195	310	90/50

All dimensions in mm.

V 3.1

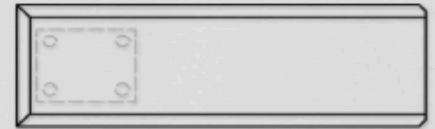
MODEL	GREATEST LOAD OF THE TRAY (INDICATED)	DEBIT (T/h)*
LEV/X 1	1,5 kg	0,6
LEV/X 2	3 kg	2
LEV/X 3	7,5 kg	5
LEV/X 4	10 kg	7

*Calculated on foot sand density 1,6 t/m³

TRAYS TYPES EXAMPLES

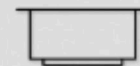
FLAT BOTTOM

Current standard type.
Constant tray width.
Vertical or sloped sides, following requested trough section.



BEVELLED EXIT

To feed a transport band that is perpendicular to the equipment trough.



DECREASING WIDTH

To concentrate the materials at the point of unloading.



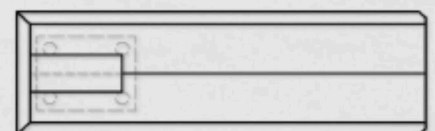
TUBULAR

For dustproof conveyor.
Maximum filling at half-tube.
Slower outputs than those obtained with the other trough shapes.



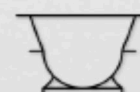
V-SHAPE

To get a narrow and concentrated materials at the point of unloading.



SEMICIRCULAR

Used to transport light and rounded items.
Also with cap.



Electronic Controller for Electromagnetic Vibrator

R3FC **3/4A** **115V
230V** **IP 65**

General

Stabilized controller, compact, economic, current till to **3/4A** rms in metallic or plastic box, only circuit or circuit with support DIN35 with external potentiometer

General Characteristics

Voltage 110/230V, 50/60 Hz • 3000/6000 Vib/min • Input ON/OFF • Slow/fast ramp • Reg. vibration min/max • Led ON • Line input with schuko plug • Vibrator output with connector.

Applications

Regulation of vibrators linear and small circular vibrators till **4** Amps.

Options

Box IP65 (NEMA 4/4X) • INOX Box • Personalized label • Connector for vibrator.

Electrical Characteristis

Tension of Feeding:	115/230 V ± 5% – 50/60 Hz
Consumption:	1,5 W max
Current Max:	3,15A (RMS)
Load Min:	50 mA (RMS)
Frequency of Vibration:	3.000/6.000 v/min. (50 Hz) RC-AC
Time of Ramp:	0,2 sec. / 2 sec. (modifiable)
Regulation Min.:	80 V ± 30%
Regulation max:	220 V - 30%
On/Off:	free voltage contact
Degree of Protection:	IP55 in box (IP65-NEMA4-4X)
Temperature of Storage:	-15°C / +80°C
Temperature of Operation:	-5°C / +55°C
European Norms:	EMC CE
Guarantee:	1 year (from date on circuit)



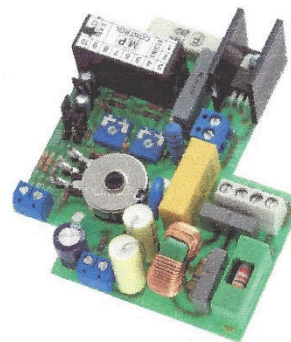
METALLIC BOX
PV R3FCX Z2 STM
100x100x50



METALLIC BOX
PV R3FCX Z2 SM1
100x100x50



PLASTIC BOX
PV R3FCX Z2 STD
100x100x50



CIRCUIT
PV R3FCX A2 STD

Available Versions

Type	Box	Colour	Dimensions	Code
R3FC	Circuit		80 x 95 x 35	PV R3FCX A2 STD
R3FC	Fire-retardant plastic	RAL 7035	100 x 100 x 50	PV R3FCX Z2 STD
R3FC	Aluminum	RAL 7035	100 x 100 x 50	PV R3FCX Z2 STM
R3FC/DIN	Circuit DIN35		115 x 185 x 50	PV R3FCX D2 STD
R3FC+PRX92	+ circuit for sensor NPN/PNP		100 x 100 x 50	PV R3P92 Z2 STD

VIBTEC AUSTRALIA

Unit 2, 64 Baile Road, Canning Vale, WA 6155, Perth Australia

Tel: +61 (0)8 6559 7470 Email: info@vibtec.com.au Web: www.vibtec.com.au

Electronic Controller for Electromagnetic Vibrator

▶ **R5FC** **6A** **115V
230V** **IP 65**

General

Stabilized controller, compact, economic, current till to 6,3A rms in metallic or plastic box, only circuit or circuit with support DIN35 with external potentiometer.

General Characteristics

Voltage 110/230V, 50/60 Hz • 3000/6000 Vib/min • Input Double ON/OFF (free contact voltage, signal voltage) • Slow/fast ramp • Reg. vibration min/max • Led ON • Overload function • Line input with schuko plug • Vibrator output with connector.

Applications

Regulation of vibrators linear and small circular vibrators till 6,3 Amps - Drive linear - Bowl feeder - Hopper.

Options

Box IP65 (NEMA 4/4X) • INOX Box • Personalized label • Connector for vibrator. Available with circuit PRX92 or PRX99.

Electrical Characteristics

Tension of Feeding:	115/230 V ± 5% – 50/60 Hz
Consumption:	1,5 W max
Current Max:	6,3A (RMS)
Load Min:	50 mA (RMS)
Frequency of Vibration:	3.000/6.000 V/min (50 Hz) RC-AC
Time of Ramp:	0,2 sec. / 2 sec. (modifiable)
Regulation Min.:	80 V ± 30%
Regulation max:	220 V - 30%
On/Off:	free voltage contact/signal voltage 0/24Vcc
Degree of Protection:	IP55 in box (IP65-NEMA4-4X)
Temperature of Storage:	-15°C / +80°C
Temperature of Operation:	-5°C / +55°C
European Norms:	EMC CE
Guarantee:	1 year (from date on circuit)



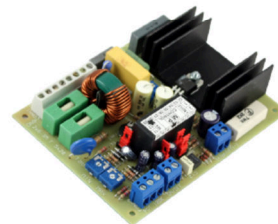
METALLIC BOX
PV R5FCX Z2 STM
165x140x65



METALLIC BOX
PV R5FCX Z2 SM3
195x130x90



PLASTIC BOX
PV R5FCX Z2 STD
165x130x70



CIRCUIT
PV R5FCX A2 STD

Available Versions

Type	Box	Colour	Dimensions	Code	Price €
R5FC	Fire-retardant plastic	RAL 7035	165 x 130 x 70	PV R5FCX Z2 STD	
R5FC+PRX92	Fire-retardant plastic	RAL 7035	165 x 130 x 70	PV R5P92 Z2 STD	
R5FC	Aluminum	GREY CLEAR	165 x 140 x 65	PV R5FCX Z2 STM	
R5FC	Aluminum	RAL 7035	195 x 130 x 90	PV R5FCX Z2 SM3	
R5FC/DIN	Circuit DIN35		145 x 130 x 50	PV R5FCX D2 STD	

VIBTEC AUSTRALIA

Unit 2, 64 Baile Road, Canning Vale, WA 6155, Perth Australia

Tel: +61 (0)8 6559 7470 Email: info@vibtec.com.au Web: www.vibtec.com.au

Electronic Controller for Electromagnetic Vibrator

▶ **CV6F-CV8F-CV10F-CV12F** Amp 6/8/10/12 230V 400V 0/10V 0/20mA

General

Stabilized professional controller, compact, economic, current till to **6,3A** (CV6F) RMS, **8A** RMS(CV8F), **10A** RMS(CV10F), **12A** RMS(CV12F) in metallic or plastic box, only circuit or circuit with support DIN35 with external potentiometer.

General Characteristics

Voltage (110V) 230V or 400V, 50/60 Hz • 3000/6000 Vib/Min • Automatic input 0/10V-0/20mA • Multiple ON/OFF input • Slow/fast ramp • Reg. vibration min/max Manual/Automatic • Line input with schuko plug • Vibrator output with connector.

Applications

Regulation of linear and circular vibrators till **6,3/8/10/12** Amps with automatic input (PLC).

Options

Box IP65 (NEMA 4/4X) • INOX Box • Personalized label • Double speed • Connector for vibrator • Available with PRX92-PRX99 circuits for NPN-PNP sensor.

Electrical Characteristis

Tension of Feeding:	(115) 230 V or 400V ± 20% – 50/60 Hz
Consumption:	1,5 W max
Current Max:	6,3/8/10/12A (RMS)
Load Min:	50 mA (RMS)
Frequency of Vibration:	3.000/6.000 V/min (50 Hz) RC-AC
Time of Ramp:	0,1 sec. / 1 sec. (modifiable)
Regulation Min.:	80 V ± 30% (230V) 140 V ± 30% (400V)
Regulation max:	220 V - 30% (230V) 380 V - 30% (400V)
On/Off:	free voltage contact/voltage signal 0/24Vcc
Input Consumption Autom. 0/10V:	1mA max
Input Impedance 0-10V/0-20mA:	50 Komh-50 omh
Degree of Protection:	IP55 in box (IP65-NEMA4-4X)
Temperature of Storage:	-10°C / +80°C
Temperature of Operation:	-5°C / +55°C
European Norms:	EMC CE
Guarantee:	1 year (from date on circuit)



METALLIC BOX CV6F
PV CV6FX Z2 STM
165x140x65



METALLIC BOX CV6F/CV8F
PV CV8FX Z2 SM1
PV CV10F Z2 SM1
PV CV12F Z2 SM1
195x130x90



PLASTIC BOX CV6F
PV CV6FX Z2 STP
165x130x70



CIRCUIT CV6F/CV8F
PV CV6FX D2 STD

Available Versions

Type	Box	Colour	Dimensions	Code
CV6F	Fire-retardant plastic	RAL7040	165 x 130 x 70	PV CV6FX Z2 STP
CV6F	Aluminum	GREY RAL7040	165 x 140 x 65	PV CV6FX Z2 STM
CV8F	Metallic Box	GREY	240 x 130 x 110	PV CV6FX Z2 STD
CV6F-CV8F	Circuit		145 x 115 x 45	PV CV6(8)FX A2 STD
CV6F-CV8F/DIN35	Circuit		145 x 140 x 55	PV CV6(8)FX D2 STD
CV6F-CV8F	Aluminum	RAL7040	195 x 130 x 90	PV CV6(8)FX Z2 SM1

VIBTEC AUSTRALIA

Unit 2, 64 Baile Road, Canning Vale, WA 6155, Perth Australia

Tel: +61 (0)8 6559 7470 Email: info@vibtec.com.au Web: www.vibtec.com.au



MVSI

The most extensive range of industrial electric vibrators on the market. Approved for potentially explosive dust atmospheres (ATEX, IECEx, GOST). Range from 0 to 67200 lbs.



MVSI-TS

MVSI industrial electric vibrators with split covers.



MVSI-ACC

MVSI industrial electric vibrators for axial coupling.



MVSI-E

"Ex e" increased safety electric vibrators for potentially explosive atmosphere (ATEX, IECEx, GOST). Range up to 24550 lbs.



MVLS

Low Speed electric industrial vibrators. Range up to 18000 lbs centrifugal force. RPM from 1200 to 500.



CDX

"Ex d" explosion-proof industrial electric vibrators for operation in potentially explosive atmospheres (UL, CSA, ATEX, IECEx, GOST). Range up to 49250 lbs.



MVTX

"Ex d" explosion-proof screen vibrators for operation in potentially explosive atmospheres. Bear UL, cUL, ATEX and IECEx marking. Range up to 17450 lbs.



MVCC

Direct current vibrators (12 or 24 V) designed for continuous duty on mobile machines. Range from 0 to 3350 lbs.



MVSS

Electric industrial vibrators in stainless steel AISI 316L for the chemical, petroleum chemistry, food, pharmaceutical processing sectors. Range from 0 to 9520 lbs.



MICRO

Electric vibrators designed for continuous service in processes where a lower centrifugal force is required. Range from 0 to 143 lbs.



M3

Electric industrial vibrators with multi-holes mounting feet and minimum dimensions. Range up to 684 lbs.



ITV-VR

Variable high frequency electric vibrators with fixed or cradle connection for industrial building sector. Range from 0 to 19800 lbs.



ITVAF

High frequency electric vibrators with fixed or cradle connection for industrial building sector. Range from 0 to 19800 lbs.



VU

Unidirectional linear motion exciters designed for medium and large size vibrating machines. Range up to 6400 in-lbs (102000 lbs).



MTF

Vertical electric vibrators with side flange. Range from 0 to 5750 lbs.



MTF-E

"Ex e" increased safety vertical electric vibrators with side flange for potentially explosive atmosphere (ATEX, IECEx, GOST).



VB

Vertical electric vibrators with double tapered flange. Range from 0 to 11000 lbs.



VB-E

Vertical electric vibrators with side flange. Range from 0 to 5750 lbs.



MVB

Vertical electric vibrators with side flange and shaft projecting on both sides. Range from 0 to 15400 lbs.



MVB-FLC

Vertical electric vibrators with central flange and shaft projecting on both sides. Range from 0 to 15400 lbs.



MVB-E

"Ex e" increased safety vertical electric vibrators with side flange and shaft projecting on both sides, for potentially explosive atmosphere (ATEX, IECEx, GOST).



MVB-E-FLC

"Ex e" increased safety vertical electric vibrators with central flange and shaft projecting on both sides, for potentially explosive atmosphere (ATEX, IECEx, GOST).

VIBTEC
VIBRATECHNIQUES LTD
Vibration Solutions