

Linear Vibration

Ideal for arduous conditions

Force 34 N to 1080 N

Frequency and amplitude adjustable independently

Suitable for temperature from 10°C up to 120°C

FPLF LT low temperature -40°C to 60°C and FPLF 50-95HT high temperature 10°C to 150°C models available

* Suitable for Dry Air with relubrication of piston every 1500 Hours with Klubersynth UHI.14.31 (available from Vibtec)

On request can be supplied with ATEX certification to ATEX 95 94/9/EC II 2 G & D Zone 1, 2 & 21, 22

PERFORMANCE DATA

| Models | | Frequency V.P.M. | | | Linear Force Measured | | | | | | Air Consumption / Minute | | | | | | Noise Level | |
|------------|---------------|------------------|----------------|----------------|-----------------------|--------------|-----------|--------------|-----------|--------------|--------------------------|--------------|---------------|--------------|----------------|--------------|-------------|------------|
| Standard | ATEX | 2 Bar 29PSI | 4 Bar 58PSI | 6 Bar 87PSI | 2Bar N | 29PSI lbs | 4Bar N | 58PSI lbs | 6Bar N | 87PSI lbs | 2Bar litre | 29PSI CFM | 4Bar litre | 58PSI CFM | 6 Bar litre | 87PSI CFM | A** dB | A*** dB |
| FPLF-12-XS | FPLF-12-XS EX | 6000 | 9000 | 11500 | 22 | 4.8 | 48 | 10.6 | 68 | 15 | 0.8 | 0.03 | 6 | 0.21 | 15 | 0.53 | 60-64 | N/A |
| FPLF-12-S | FPLF-12-S EX | 6200 | 7800 | 9300 | 34 | 7.7 | 70 | 16 | 92 | 21 | 0.8 | 0.03 | 7.5 | 0.26 | 25 | 0.88 | 57-61 | N/A |
| FPLF-12-M | FPLF-12-M EX | 5000 | 6000 | 6700 | 37 | 7.7 | 58 | 13 | 74 | 17 | 0.5 | 0.02 | 4 | 0.14 | 19 | 0.67 | 57-61 | N/A |
| FPLF-12-L | FPLF-12-L EX | 4000 | 4800 | 5400 | 32 | 7.2 | 58 | 13 | 81 | 18 | 1 | 0.04 | 3 | 0.11 | 20 | 0.71 | 58-60 | N/A |
| FPLF-18-S | FPLF-18-S EX | 5000 | 6400 | 7700 | 66 | 15.0 | 134 | 30 | 187 | 42 | 5 | 0.18 | 33 | 1.16 | 57 | 2.00 | 62-71 | N/A |
| FPLF-18-M | FPLF-18-M EX | 4000 | 5000 | 5900 | 68 | 15.0 | 134 | 30 | 188 | 42 | 4 | 0.14 | 28 | 1.00 | 52 | 1.84 | 61-67 | N/A |
| FPLF-18-L | FPLF-18-L EX | 3100 | 4000 | 4600 | 64 | 14.0 | 150 | 34 | 206 | 46 | 5 | 0.18 | 23 | 0.81 | 46 | 1.62 | 61-68 | N/A |
| FPLF-25-S | FPLF-25-S EX | 3600 | 4300 | 5500 | 126 | 28 | 270 | 61 | 416 | 94 | 13 | 0.46 | 54 | 1.91 | 93 | 3.28 | 70-75 | 61-67 |
| FPLF-25-M | FPLF-25-M EX | 3000 | 3800 | 4200 | 142 | 32 | 364 | 82 | 504 | 113 | 23 | 0.81 | 50 | 1.76 | 87 | 3.07 | 73-75 | 62-66 |
| FPLF-25-L | FPLF-25-L EX | 2400 | 3100 | 3700 | 186 | 42 | 392 | 88 | 594 | 134 | 18 | 0.64 | 62 | 2.19 | 93 | 3.28 | 72-75 | 60-65 |
| FPLF-35-S | FPLF-35-S EX | 3800 | 4700 | 5800 | 294 | 66 | 668 | 150 | 1038 | 234 | 23 | 0.81 | 101 | 3.56 | 162 | 5.72 | 72-77 | 71-73 |
| FPLF-35-M | FPLF-35-M EX | 3000 | 4000 | 4600 | 248 | 56 | 778 | 175 | 1080 | 243 | 24 | 0.84 | 83 | 2.93 | 141 | 4.98 | 74-78 | 70-73 |
| FPLF-35-L | FPLF-35-L EX | 2400 | 3100 | 3600 | 282 | 63 | 680 | 153 | 1066 | 240 | 38 | 1.34 | 89 | 3.14 | 135 | 4.77 | 74-78 | 68-74 |
| FPLF-50-M* | FPLF-50-M EX* | 1850 | 2300 | 2800 | 490 | 110 | 970 | 218 | 1600 | 360 | 48 | 1.67 | 100 | 3.48 | 190 | 6.61 | 70-77 | - |
| FPLF-60-M* | FPLF-60-M EX* | 1950 | 2400 | 2700 | 610 | 137 | 1400 | 315 | 2170 | 489 | 90 | 3.13 | 160 | 5.57 | 270 | 9.39 | 73-79 | - |
| FPLF-95-M* | FPLF-95-M EX* | 1800 | 2400 | 2800 | 1500 | 338 | 2620 | 590 | 4270 | 962 | 170 | 5.91 | 320 | 11.13 | 450 | 15.65 | 85-92 | - |

NOISE LEVEL NOTE ** With customary silencer *** With 1/4" Free Flow Silencer

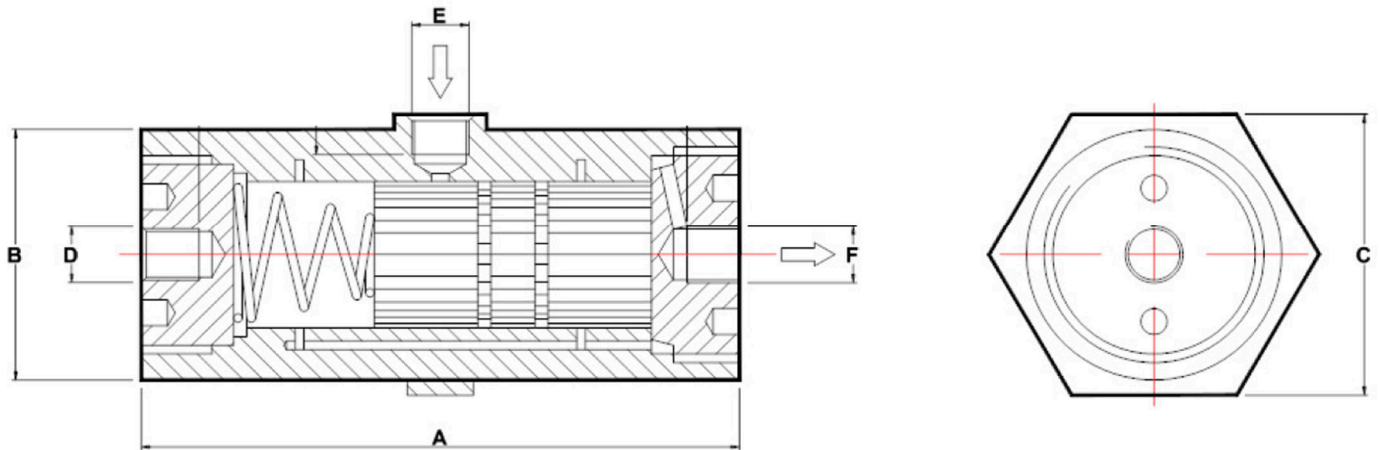
FREQUENCY AND AMPLITUDE: By using a flow restricting silencer on the FP, FPLF, FAL, and VTL vibrators the amplitude can be reduced whilst the frequency remains almost constant.

VIBRATECHNIQUES LTD

20 Cecil Pashley Way, Shoreham Airport, Shoreham by Sea, West Sussex, BN43 5FF

Tel: +44 (0)1273 430977 Fax: +44 (0)1273 430978 Email: sales@vibtec.com Web: www.vibtec.com

DIMENSIONS



Drawing No 082001

| Models | | A | | B | | C | | D Metric Thread | BSP Thread | | | Weight of Body | | Weight of Piston | | Total Weight | |
|------------|---------------|-----|------|-----|------|-----|------|-----------------------|------------|------|------|----------------|-------|------------------|--------|--------------|--------|
| Standard | ATEX | mm | inch | mm | inch | mm | inch | | E | E1 | F | kg | lbs | kg | lbs | kg | lbs |
| FPLF-12-XS | FPLF-12-XS EX | 50 | 1.97 | 31 | 1.22 | 34 | 1.34 | M8 | 1/8" | N/A | 1/8" | 0.092 | 0.202 | 0.013 | 0.029 | 0.105 | 0.231 |
| FPLF-12-S | FPLF-12-S EX | 71 | 2.80 | 31 | 1.22 | 34 | 1.34 | M8 | 1/8" | N/A | 1/8" | 0.125 | 0.275 | 0.020 | 0.045 | 0.145 | 0.320 |
| FPLF-12-M | FPLF-12-M EX | 81 | 3.19 | 31 | 1.22 | 34 | 1.34 | M8 | 1/8" | N/A | 1/8" | 0.140 | 0.309 | 0.030 | 0.066 | 0.170 | 0.375 |
| FPLF-12-L | FPLF-12-L EX | 94 | 3.70 | 31 | 1.22 | 34 | 1.34 | M8 | 1/8" | N/A | 1/8" | 0.165 | 0.360 | 0.040 | 0.090 | 0.205 | 0.450 |
| FPLF-18-S | FPLF-18-S EX | 81 | 3.19 | 40 | 1.57 | 42 | 1.65 | M10 | 1/8" | N/A | 1/8" | 0.220 | 0.485 | 0.060 | 0.135 | 0.280 | 0.620 |
| FPLF-18-M | FPLF-18-M EX | 94 | 3.70 | 40 | 1.57 | 42 | 1.65 | M10 | 1/8" | N/A | 1/8" | 0.260 | 0.575 | 0.080 | 0.175 | 0.340 | 0.750 |
| FPLF-18-L | FPLF-18-L EX | 109 | 4.29 | 40 | 1.57 | 42 | 1.65 | M10 | 1/8" | N/A | 1/8" | 0.300 | 0.660 | 0.110 | 0.240 | 0.410 | 0.900 |
| FPLF-25-S | FPLF-25-S EX | 98 | 3.86 | 48 | 1.89 | 50 | 1.97 | M12 | 1/8" | N/A | 1/4" | 0.375 | 0.825 | 0.155 | 0.345 | 0.530 | 1.170 |
| FPLF-25-M | FPLF-25-M EX | 116 | 4.57 | 48 | 1.89 | 50 | 1.97 | M12 | 1/8" | N/A | 1/4" | 0.435 | 0.955 | 0.215 | 0.475 | 0.650 | 1.430 |
| FPLF-25-L | FPLF-25-L EX | 136 | 5.35 | 48 | 1.89 | 50 | 1.97 | M12 | 1/8" | N/A | 1/4" | 0.500 | 1.100 | 0.290 | 0.640 | 0.790 | 1.740 |
| FPLF-35-S | FPLF-35-S EX | 98 | 3.86 | 58 | 2.28 | 65 | 2.55 | M12 | 1/4" | N/A | 1/4" | 0.530 | 1.168 | 0.315 | 0.694 | 0.845 | 1.862 |
| FPLF-35-M | FPLF-35-M EX | 116 | 4.57 | 58 | 2.28 | 65 | 2.55 | M12 | 1/4" | N/A | 1/4" | 0.610 | 1.344 | 0.430 | 0.947 | 1.040 | 2.292 |
| FPLF-35-L | FPLF-35-L EX | 136 | 5.35 | 58 | 2.28 | 65 | 2.55 | M12 | 1/4" | N/A | 1/4" | 0.700 | 1.543 | 0.530 | 1.278 | 1.280 | 2.821 |
| FPLF-50-M* | FPLF-50-M EX* | 154 | 6.07 | 84 | 3.31 | N/A | N/A | N/A | 1/4" | 1/4" | 1/4" | 1.750 | 3.858 | 1.500 | 3.307 | 3.250 | 7.165 |
| FPLF-60-M* | FPLF-60-M EX* | 154 | 6.07 | 94 | 3.70 | N/A | N/A | N/A | 1/4" | 3/8" | 1/4" | 2.100 | 4.629 | 2.150 | 4.740 | 4.250 | 9.369 |
| FPLF-95-M* | FPLF-95-M EX* | 156 | 6.15 | 140 | 5.52 | N/A | N/A | N/A | 3/8" | 3/8" | N/A | 4.500 | 9.921 | 4.900 | 10.802 | 9.400 | 20.723 |

*NOTE The FPLF-50-M, FPLF-60-M and FPLF-90-M are supplied with square base plates (G) attached for alternative fixing using 4 off bolts instead the M16 single stud.

This increases the overall length by 19-20mm (H)

Plate Dimensions are:

FPLF-50-M 90 mm x 90 mm x 20 mm thick, 4 Holes 8.8 mm dia. 72 mm x 72 mm pitch

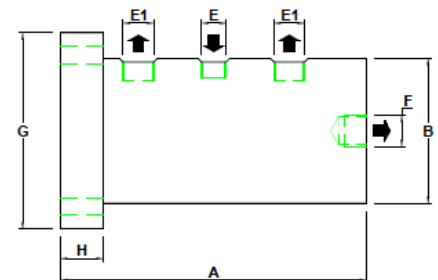
FPLF-60-M 110 mm x 110 mm x 20 mm thick, 4 Holes 8.8 mm dia. 90 mm x 90 mm pitch

FPLF-95-M 150 mm x 150 mm x 19 mm thick, 4 Holes 13.0 mm dia. 124 mm x 124 mm pitch

IMPORTANT

It is recommended that a 3/2 Pneumatic Valve is used in installation.

Leaflet L1 103 Available on request



Drawing No 082001