

Linear Vibration

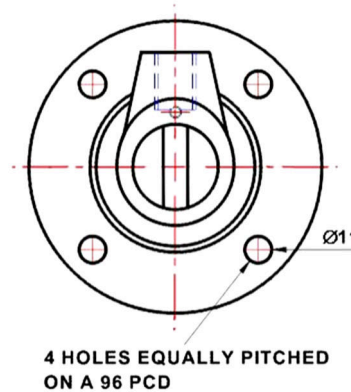
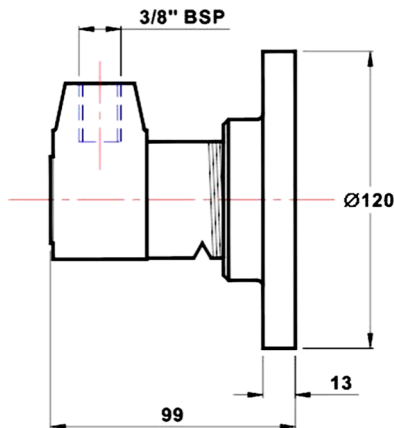
Robust Unit

Steel Forged Body

Nitride Hardened Steel Piston

On request can be supplied with ATEX certification to ATEX 95 94/9/EC  II 2 G & D Zone 1, 2 & 21, 22

DIMENSIONS



Drawing No 044139.2

PERFORMANCE DATA

| MODEL | Piston Dia. mm | Stroke mm | Height mm | Fixing Bolts | Impacts per/min | Air Consumption litres/min | Working Pressure | Weight kgs |
|-------|----------------|-----------|-----------|--------------|-----------------|----------------------------|------------------|------------|
| V1 | 28.5 | 25.4 | 99 | M10 | 4000 | 160 | 6 Bar | 2.04 |

VIBTEC AUSTRALIA

Unit 2, 64 Baile Road, Canning Vale, WA 6155, Perth Australia

Tel: +61 (0)8 6559 7470 Email: info@vibtec.com.au Web: www.vibtec.com.au