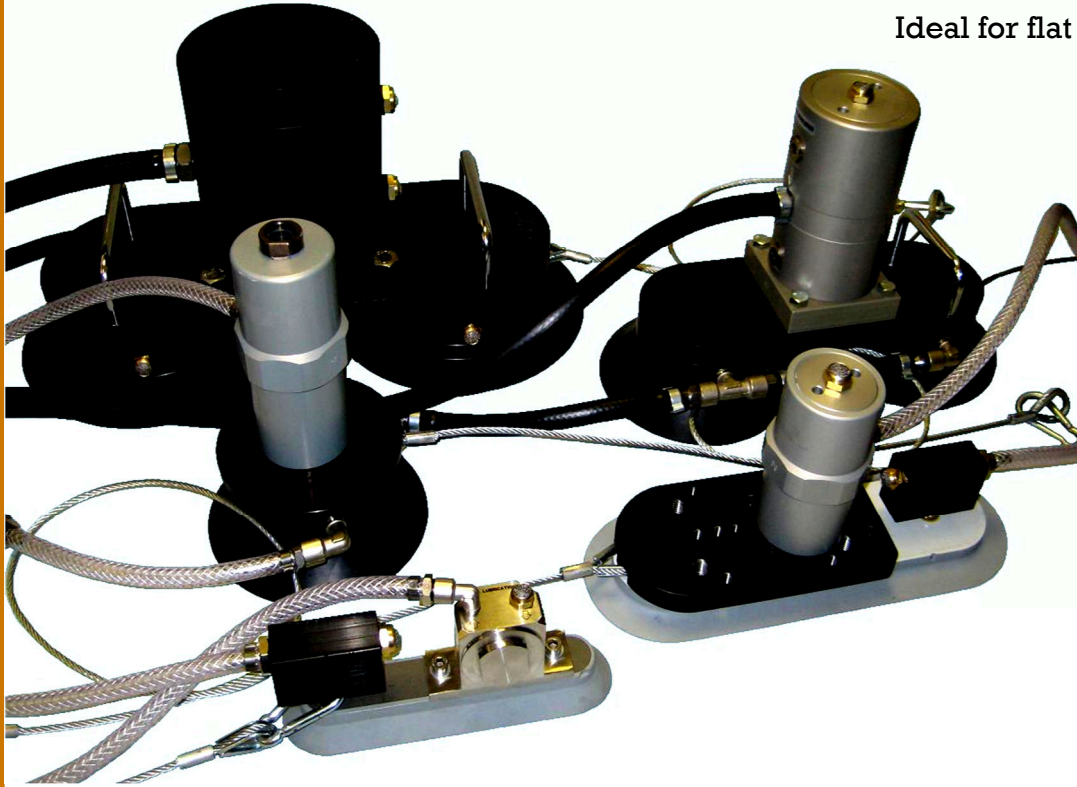


Strong Vacuum Connection 230mBar

Quick Attachment

Easy to use

Ideal for flat or curved surfaces



On request can be supplied with ATEX certification to ATEX 95 94/9/EC  II 2 G & D Zone 1, 2 & 21, 22

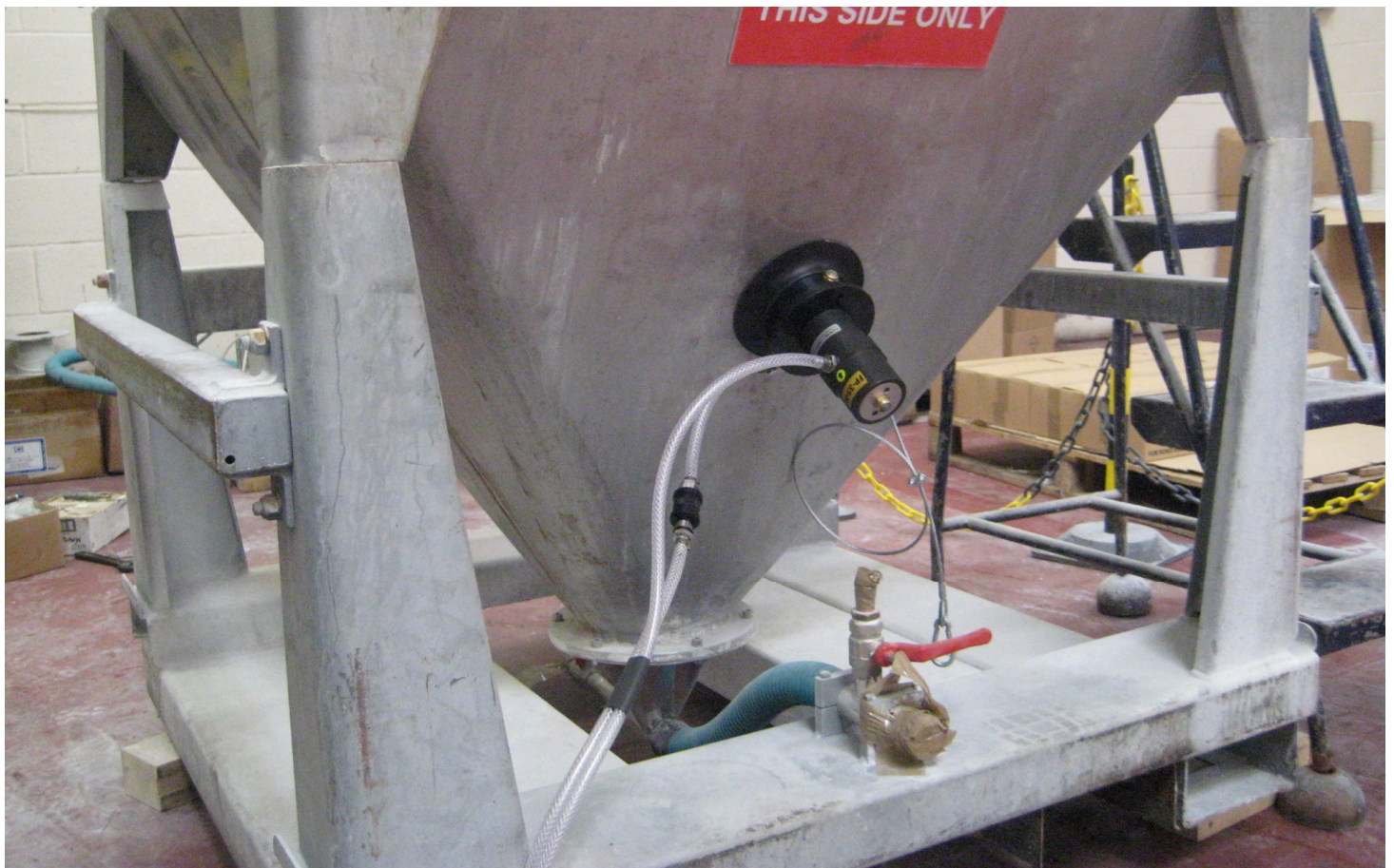
MODEL	COMPATIBLE UNITS	Minimum Diameter mm	Air Consumption		Weight (Kgs)
			CFM	L/Min	
VTC 10S	DAR2, K8-10, GT4-10, FP12-18, R50, T50, VTL155-165, FAL 18	110	3.5	99	1.5
VTC 12S	DAR2 / DAR4, K8-25, FP25-35, R50-80, GT08-25, T50-80, V150	350	3.5	99	3.0
VTC 15S	DAR2-3, K8-16, GT10-16, FP12-35, R50-65, T50-65, VTL155-255, FAL18-25	760	3.5	99	2.5
VTC 15D	DAR4, GT20-30, K20-36, R80, T80, FP25-FP35, FAL25-35, FP50M, VFP75/01, VFP50/01, V150	760	7.0	198	4.5
VTC 20S	K20-25, GT20-25, FP50M-60M, FAL35, R80, T80, VFP54/02	860	3.5	99	4.0
VTC 20D	DAR5, GT30-36, R100, T100HP, FP60M, FP95M	860	7.0	198	8.5
VTC 20T	VFP50/10	4600	10.5	297	18.0

VIBTEC AUSTRALIA

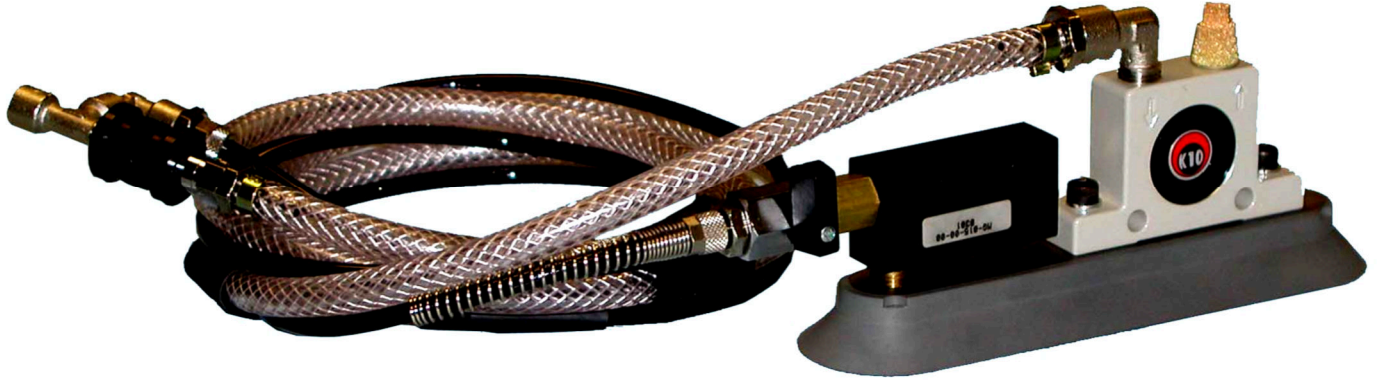
Unit 2, 64 Baile Road, Canning Vale, WA 6155, Perth Australia
Tel: +61 (0)8 6559 7470 Email: info@vibtec.com.au Web: www.vibtec.com.au

Main use for applications

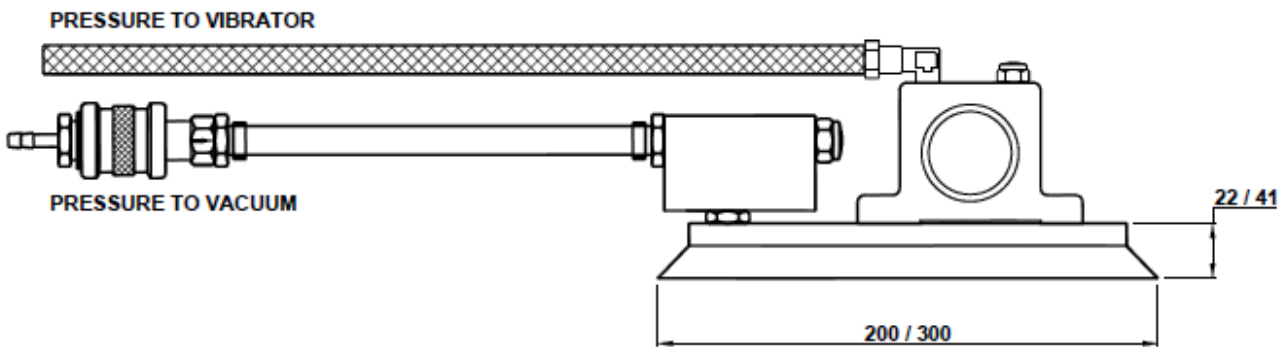
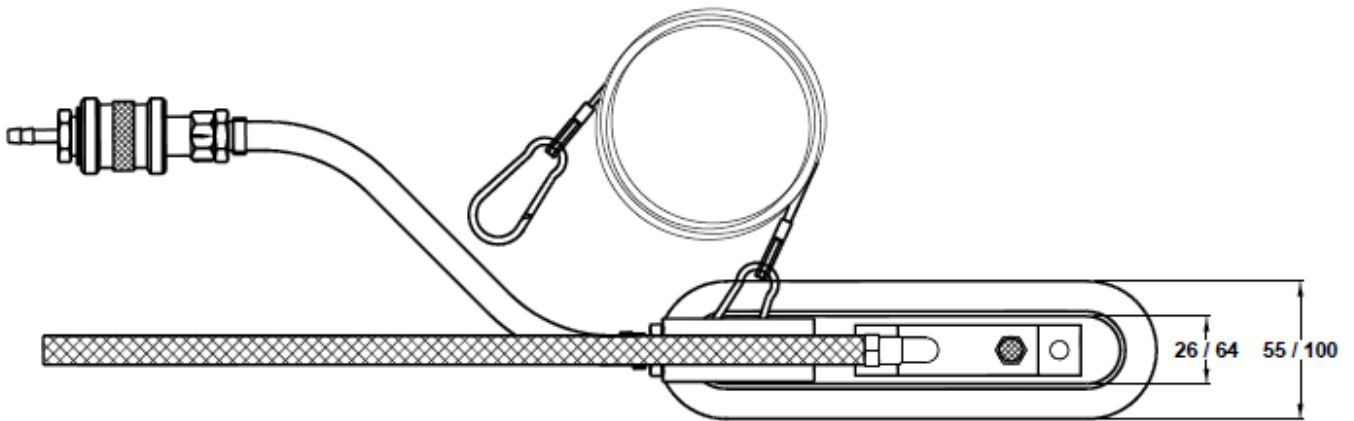
- Where either a permanent vibrator fixture is not possible,
- Where multiple vessels are to be vibrated by the same device.



VTC 10/12S VACUUM CLAMP



Vibrator is representative, see page 1 for Vibrators that will fit Vacuum clamp

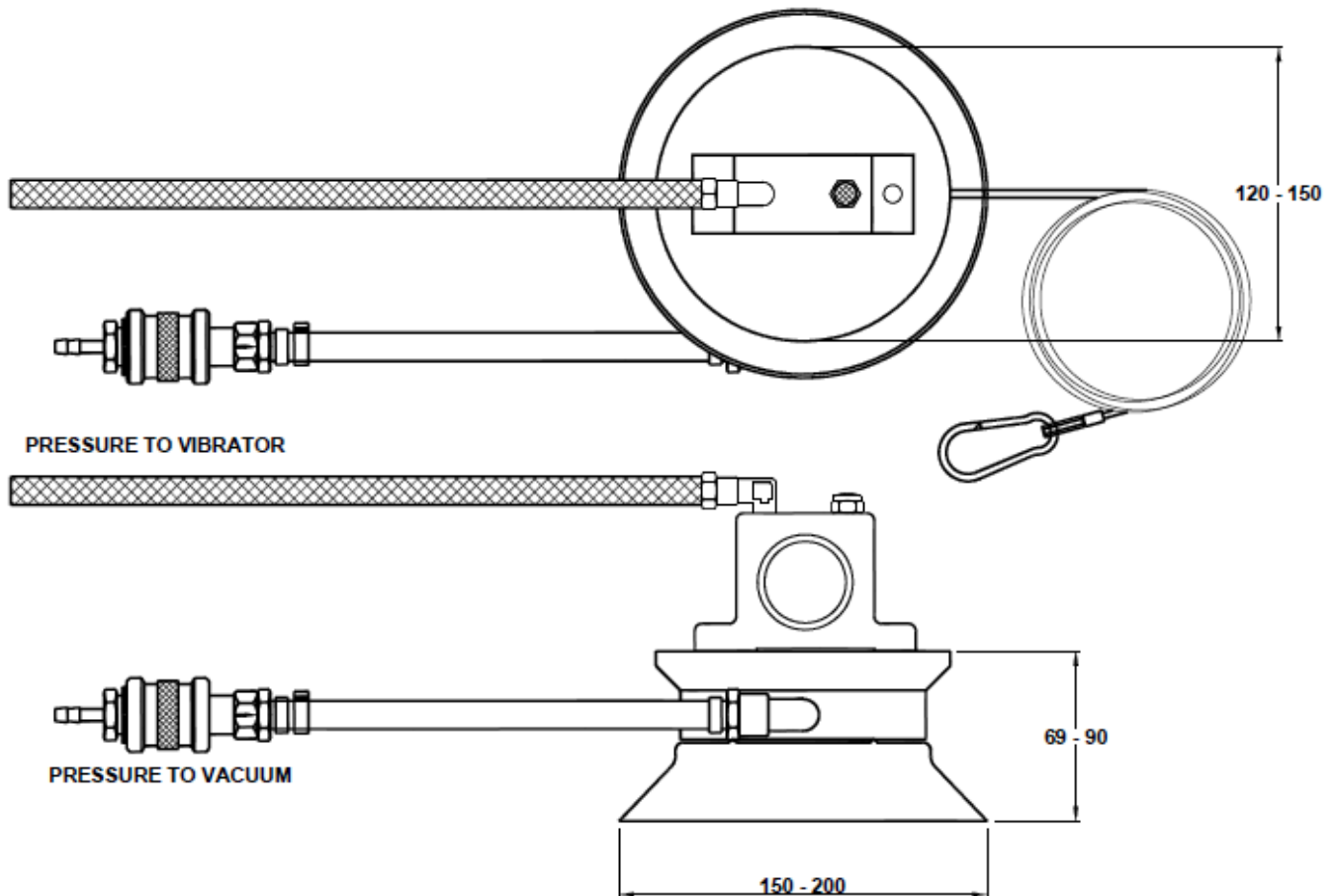


Drawing No 054104

VTC 15/20S VACUUM CLAMP

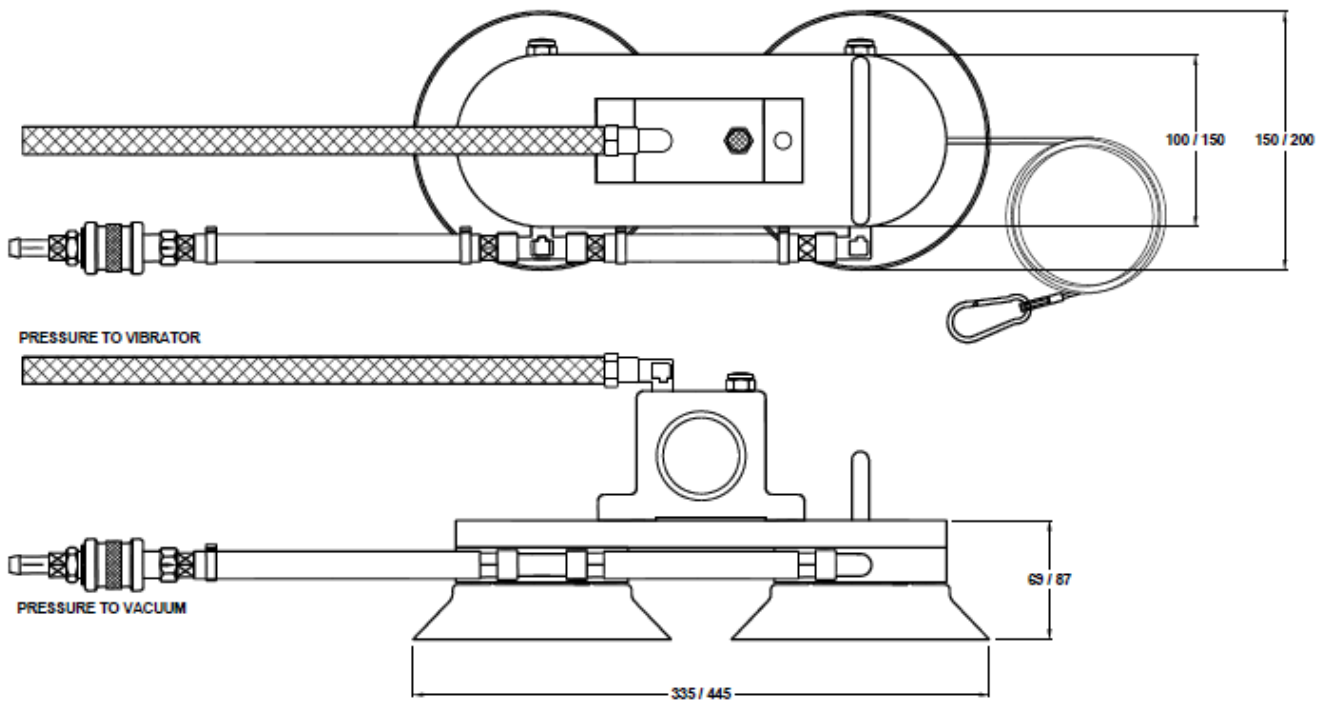
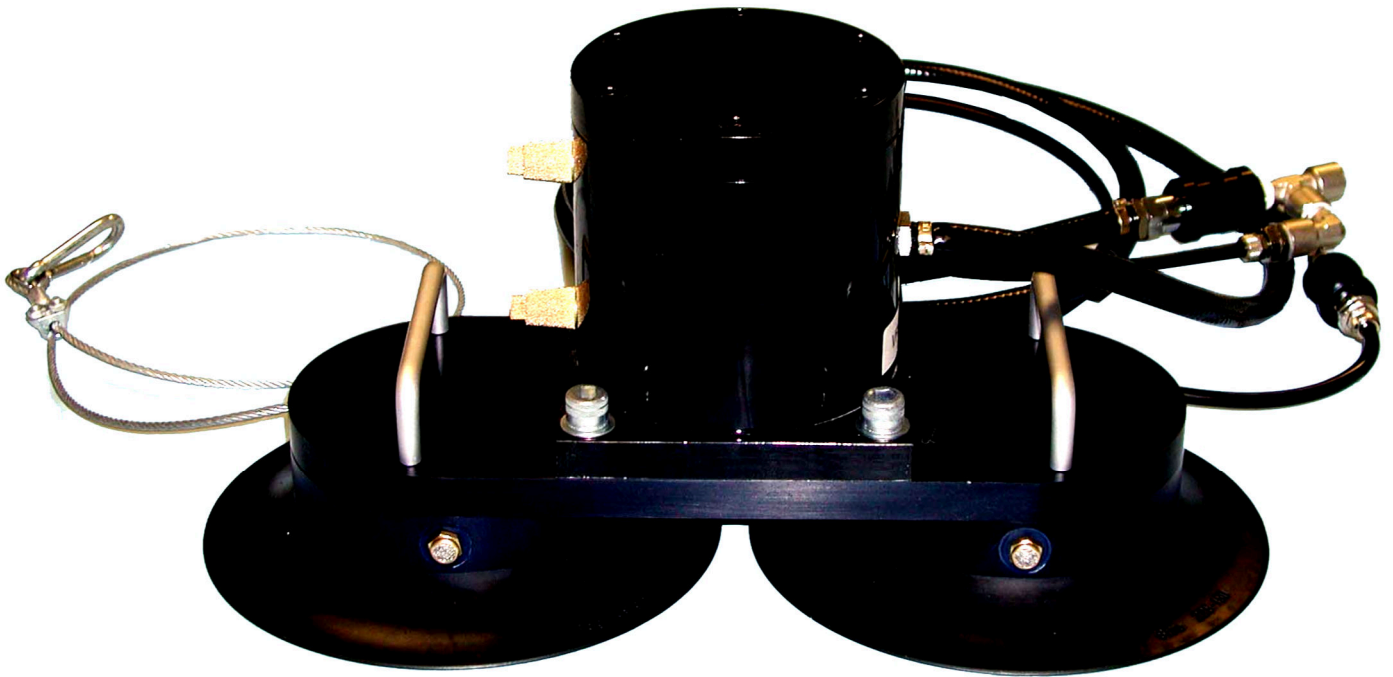


Vibrator is representative, see page 1 for Vibrators that will fit Vacuum clamp



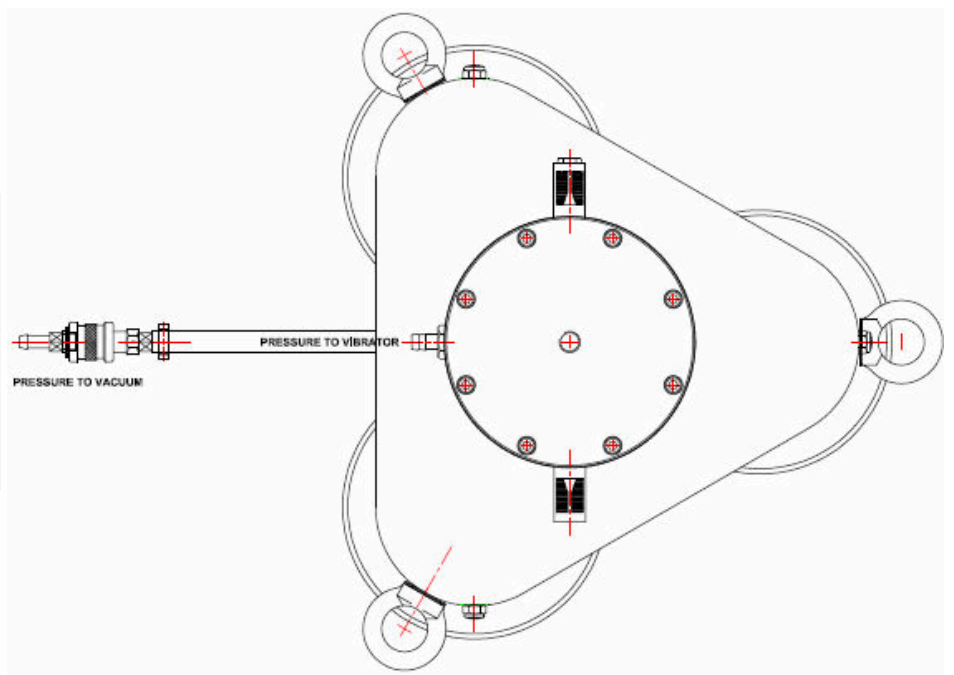
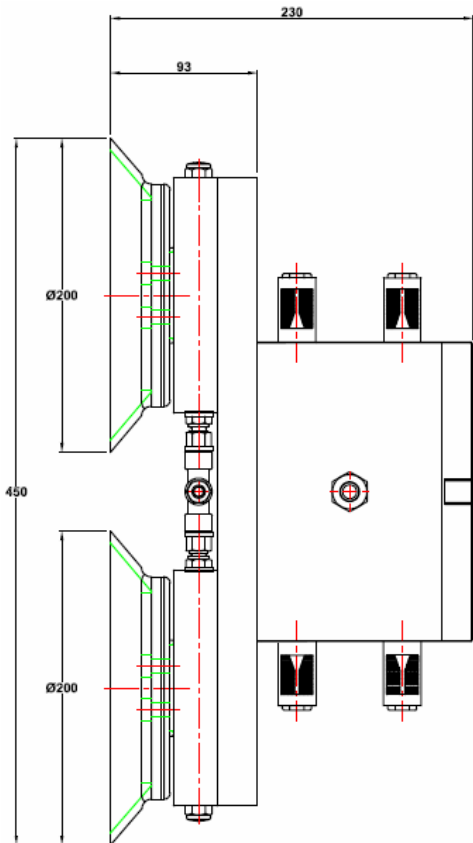
Drawing No 054106

VTC 15/20D VACCUM CLAMP



Drawing No 054105

VTC20T VACUUM CLAMP



Drawing No 054107