

Used primary as shutter vibrators, tampers and surface finishers.
Can be used on vibrating hoppers, compaction tables, chutes, and knock out grids.

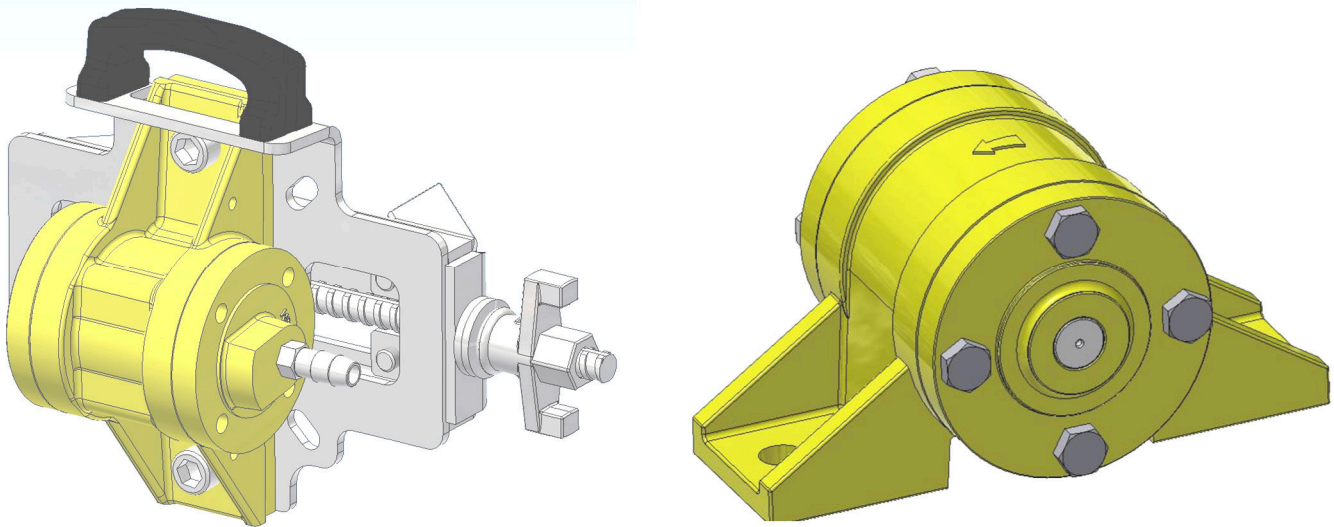
Rotary Vibration, just two moving parts.

Simply fixing with two bolts.

Quick Release (QRC) Clamp for use on shuttering.

Variable force & frequency controlled by air pressure.

1 mtr hose, on/off valve, quick release coupling, with gauze and hose clips available.



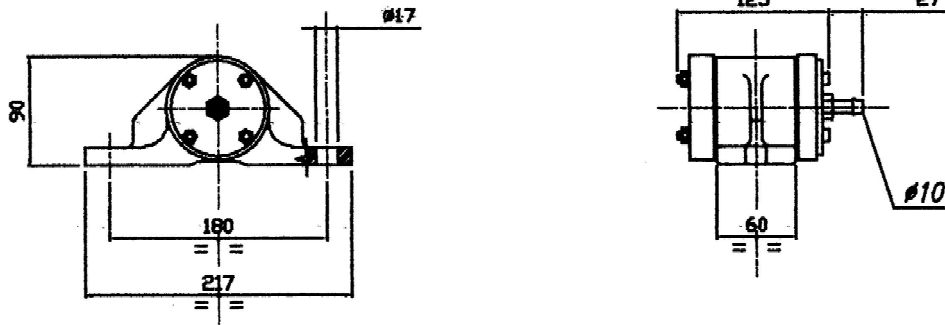
VE418-1418 Specification

Model	VE418	VE418S	VE 618	VE618S	VE818	VE818S	VE1118	VE1118S	VE1418	VE1418S
Frequency V.P.M.	15500		15500		14000		14500		15000	
Air Consumption litres/min	800		800		1600		1700		1800	
Air Consumption CFM	28.25		28.25		56.5		60.0		63.5	
Centrifugal Force kg	267		516		778		910		1203	1210
Centrifugal Force Newton's	2620		5060		7630		8930		1180	1187
Working Moment cm/kg	1.06		1.92		3.5		3.5		3.5	
Noise Level dBA	89	84	89	84	90	85	90	85	90	85
Weight Kgs	4.5	6.7	4.8	7.0	7.1	9.3	7.4	9.6	7.5	9.7
Bolt Fixing	M16		M16		M16		M16		M16	
Hose Fitting supplied as Standard	10mm	15mm	10mm	15mm	15mm					
Hoses on models without silencer, Bracket and Bolt set ordered separately										
Performance data established in free air with a supply pressure of 6 bar (87 P.S.I.)										

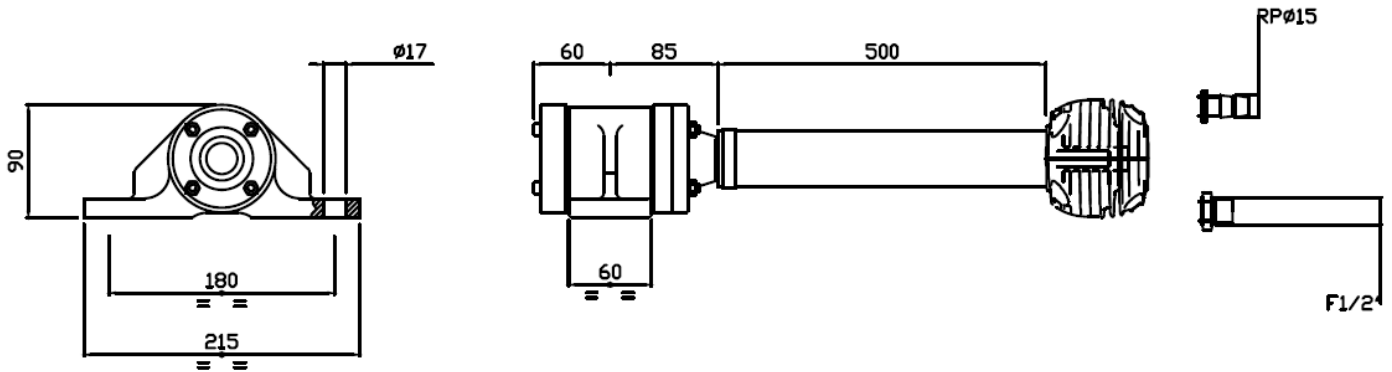
VIBTEC AUSTRALIA

Unit 2, 64 Baile Road, Canning Vale, WA 6155, Perth Australia
Tel: +61 (0)8 6559 7470 Email: info@vibtec.com.au Web: www.vibtec.com.au

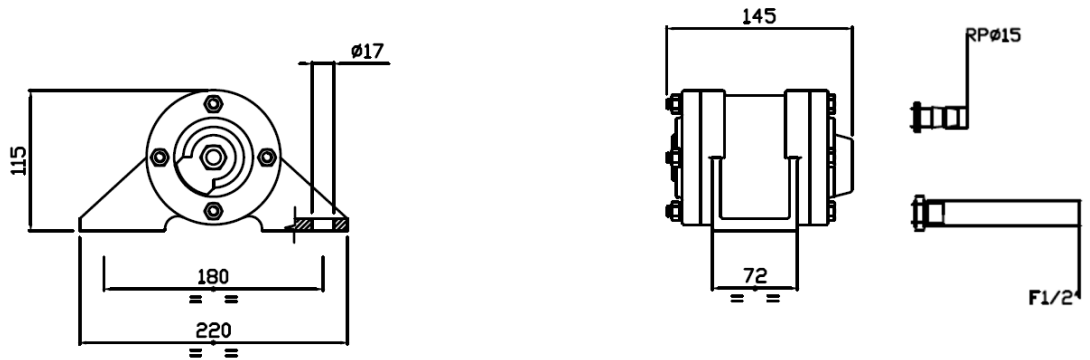
VE418-VE1418 DIMENSIONS



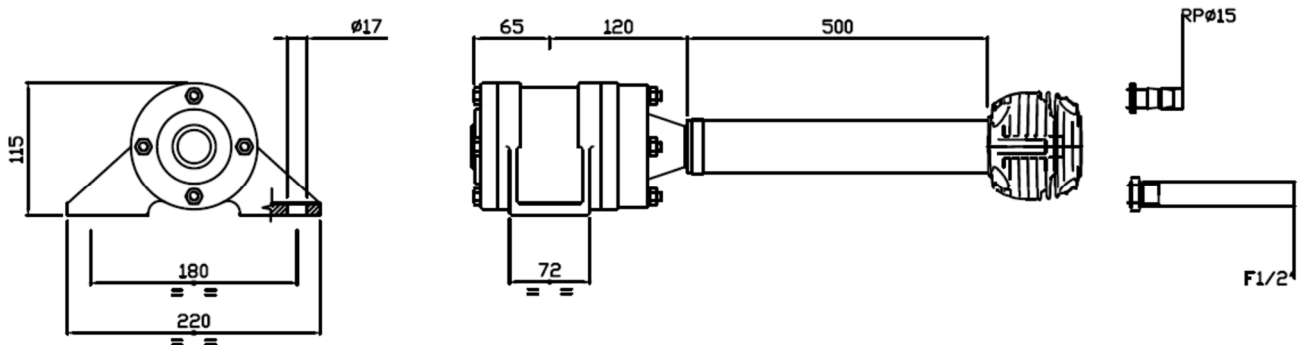
VE418-VE618 Standard Model, 10mm Hose Tail, Drawing 088100



VE418-VE618S Silenced Model 15mm Hose Connection supplied as Standard, 1/2 optional, Drawing 088150

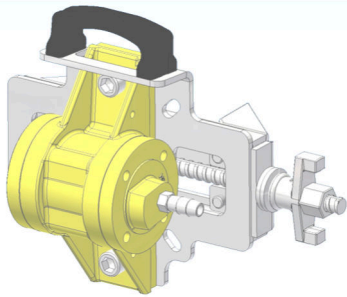


VE818-VE1418 Standard Model 15mm Hose Tail, Drawing 088101



VE818-VE1418 Silenced Model 15mm Hose Connection supplied as Standard, 1/2 optional, Drawing 088151

OPTIONS AND ACCESSORIES



VE418-VE1418

Standard Package

Pneumatic Vibrator
Clamp assy
Bolt set
1 mtr Hose assy

Optional

Packing pieces if for Steel formwork
Lubricator (in line)
Lubricator with Regulator
Air Hose to customer requirements



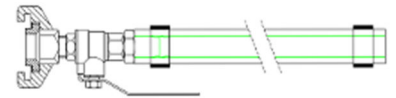
To secure Vibrator to clamp
Part No 088090

Bolt Set
Leaflet L1421



European supplied as Standard
US and Australian available

Couplings
Leaflet L1104



Recommended
European supplied as Standard
US and Australian available
VE418-618
with European Coupling 001929
VE818-1418
with European Coupling 000483

Vibrator Hose
Leaflet L1421

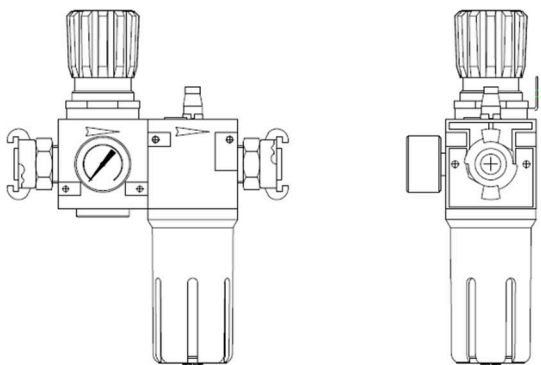


Extension Hoses Leaflet
Leaflet L1101

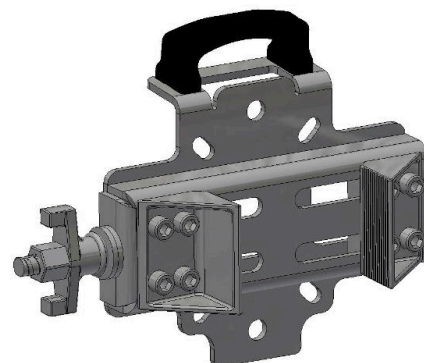


European supplied as Standard
US and Australian available

In Line Lubricator
Leaflet L1101 Part no 071010/20/40



Lubricator /Regulator with European Coupling
Leaflet L1106 Part no 071600



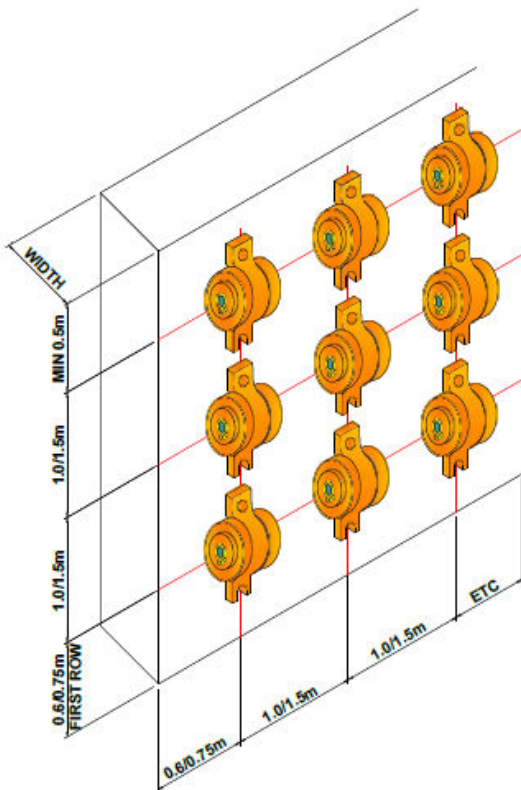
Clamp on Bracket QRC02
Leaflet L1407 Part No 088001

EXTERNAL VIBRATORS APPLICATION QUESTIONNAIRE

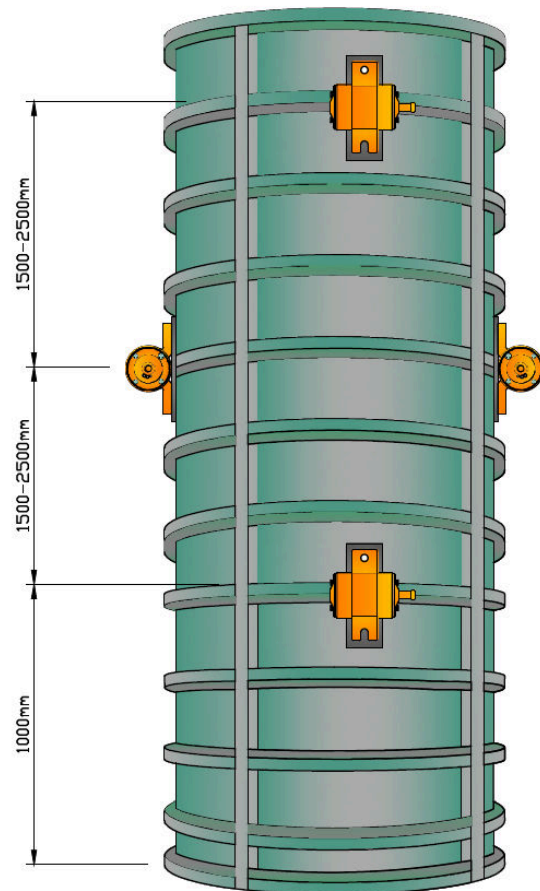
Information required to make recommendations

If possible please provide sketch of structure / moulds

Shutter Length	
Shutter Height	
Shutter Width	
Good Surface required one side	
Good Surface both sides	
Can access be obtained from both sides	
Shutter construction	
Attach clamps by welding or vice clamps	
Type of mix, slump, aggregate	
Spacing of reinforcing	
Can pokers be used on top section	
Mass of concrete	
How quickly can concrete be poured	
Power available	



Drawing No 001920



Drawing No 001924

Guidance available see Technical Manual TM1401