

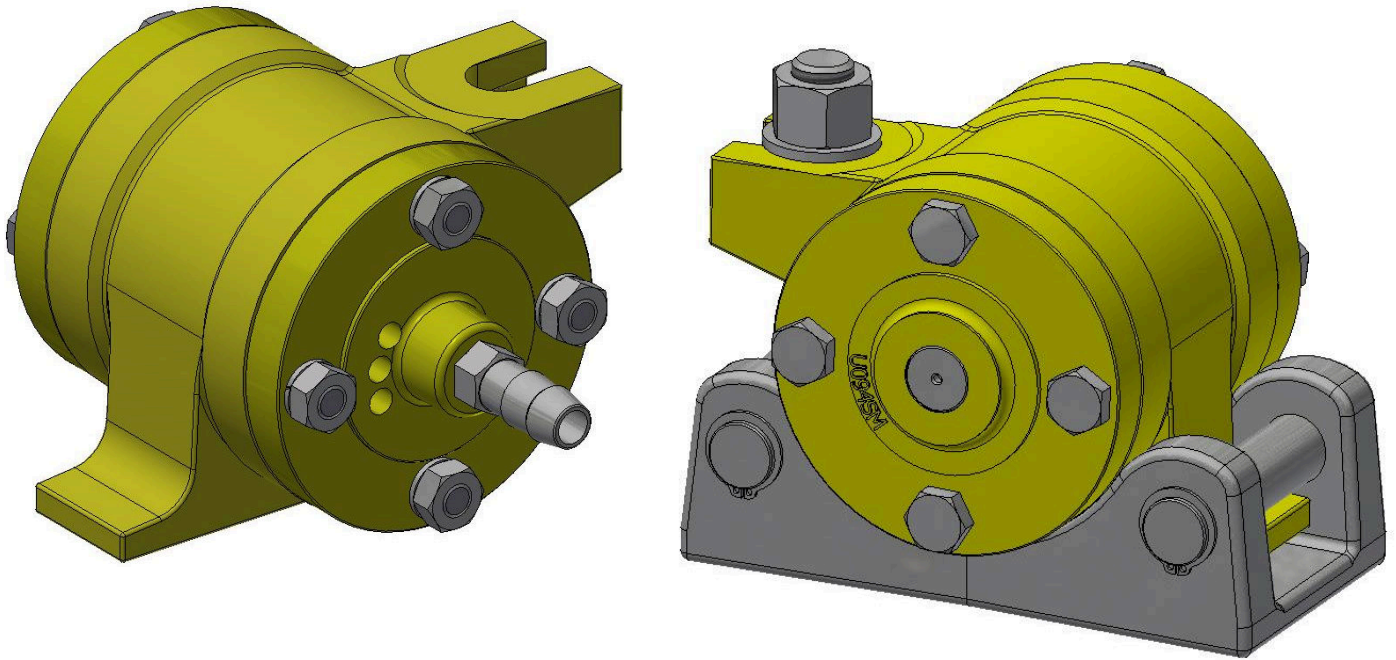
Used primary as shutter vibrators, tampers and surface finishers.  
Can be used on vibrating hoppers, compaction tables, chutes, and knock out grids.

**Rotary Vibration**

Variable force & frequency controlled by air pressure

1 mtr hose, on/off valve, quick release coupling, with gauze and hose clips available.

Quick Release Weld on Bracket QR2



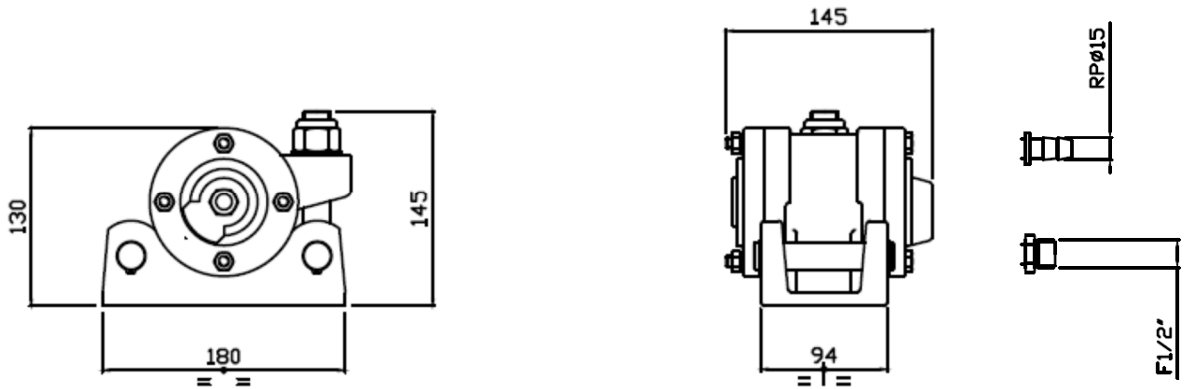
**VAQ817-1417 Specification**

Model	VAQ817	VAQ817S	VAQ1117	VAQ1117S	VAQ1217	VA1217S	VAQ1417	VAQ1417S
Frequency V.P.M.	14000		14500		9000		15000	
Air Consumption litres/min	1600		1700		1600		1750	1800
Air Consumption CFM	56.5		60.0		56.0		61.8	63.5
Centrifugal Force kg	778		910		932	1152	1203	
Centrifugal Force Newton's	7630		8030		9150	11300	11800	
Working Moment cm/kg	3.55		4.15		12.70		4.78	
Noise Level dBA	90	85	93	88	82	82	93	88
Weight Kgs	7.1	9.3	7.4	9.6			7.5	9.7
Cradle Fixing	QR2							
Hose Fitting supplied as Standard	10mm Tail on Standard models , 15mm on Silenced models							
Hoses on models without silencer, Bracket and Bolt set ordered separately								
Performance data established in free air with a supply pressure of 6 bar (87 P.S.I.)								

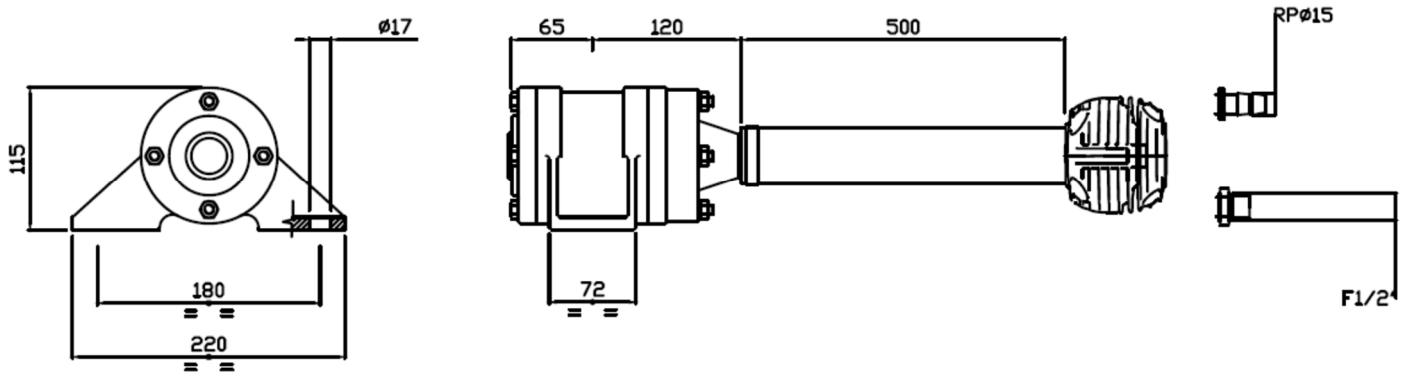
**VIBTEC AUSTRALIA**

**Unit 2, 64 Baile Road, Canning Vale, WA 6155, Perth Australia**  
Tel: +61 (0)8 6559 7470 Email: info@vibtec.com.au Web: www.vibtec.com.au

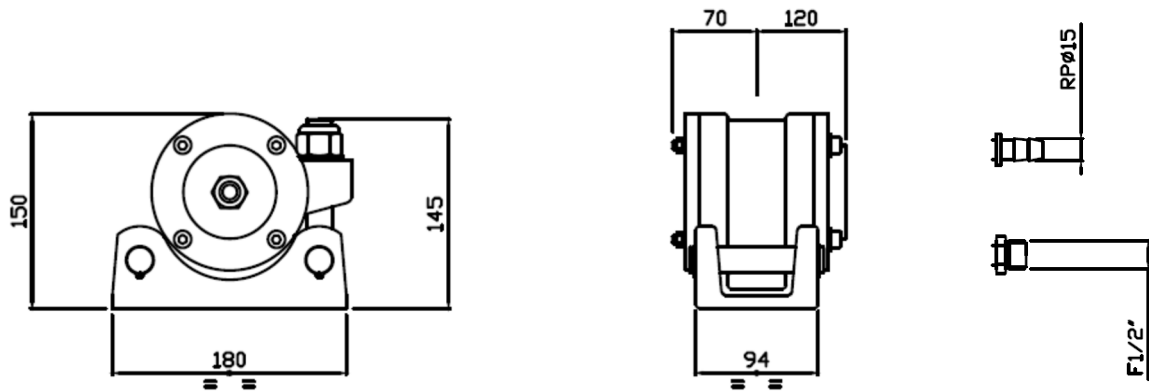
**VAQ DIMENSIONS**



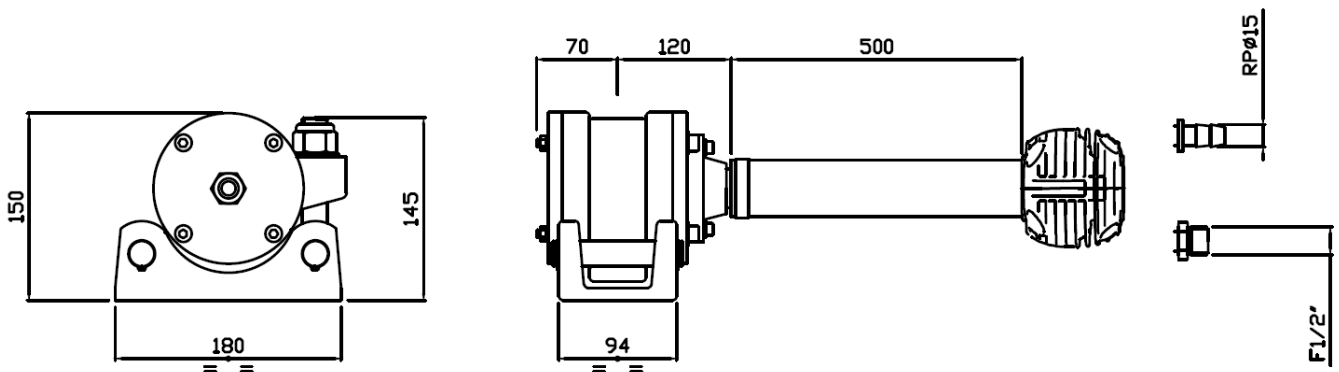
**VAQ817,1117,1217 Standard Model 15m Hose Connection supplied as Standard. Drawing 088200**



**VAQ817S,1117S,1217S Silenced Model, 15mm Hose Connection supplied as Standard, 1/2 optional. Drawing 088250**

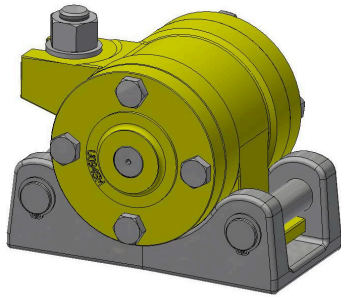


**VAQ1217 Standard Model 15mm Hose Connection supplied as Standard, Drawing 088201**



**VAQ1217S Silenced Model, 15mm Hose Connection supplied as Standard, 1/2 optional. Drawing 088251**

**OPTIONS AND ACCESSORIES**



**VAQ817-VAQ1417**

**Standard Package**

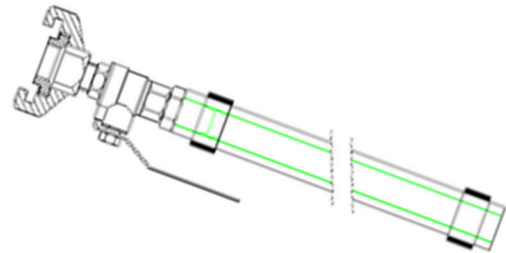
Pneumatic Vibrator  
Weld on Bracket  
1 mtr Hose assy

**Optional**

Lubricator (in line)  
Lubricator with Regulator  
Air Hose to customers requirements  
Bolt on Bracket **not** available on these model



European supplied as Standard  
US and Australian available



Recommended  
1 mtr hose c/w European Coupling 001929

**Couplings**  
Leaflet L1104

**Vibrator Hose**  
Leaflet L1422

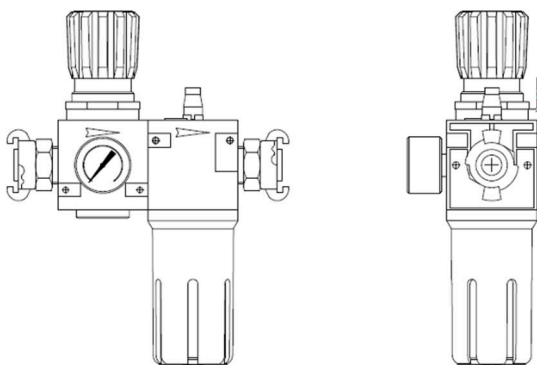


**Extension Hoses Leaflet**  
Leaflet L1101



European supplied as Standard  
US and Australian available

**In Line Lubricator**  
Leaflet L1101 Part no 071010/020/040



**Lubricator with Regulator c/w European Coupling**  
Leaflet L1106 Part no 071600/01/02



**51mm Mounting Radius**

**Standard Weld on Quick Release Bracket QR2**  
Leaflet L1402-2020 Part No 088010.02

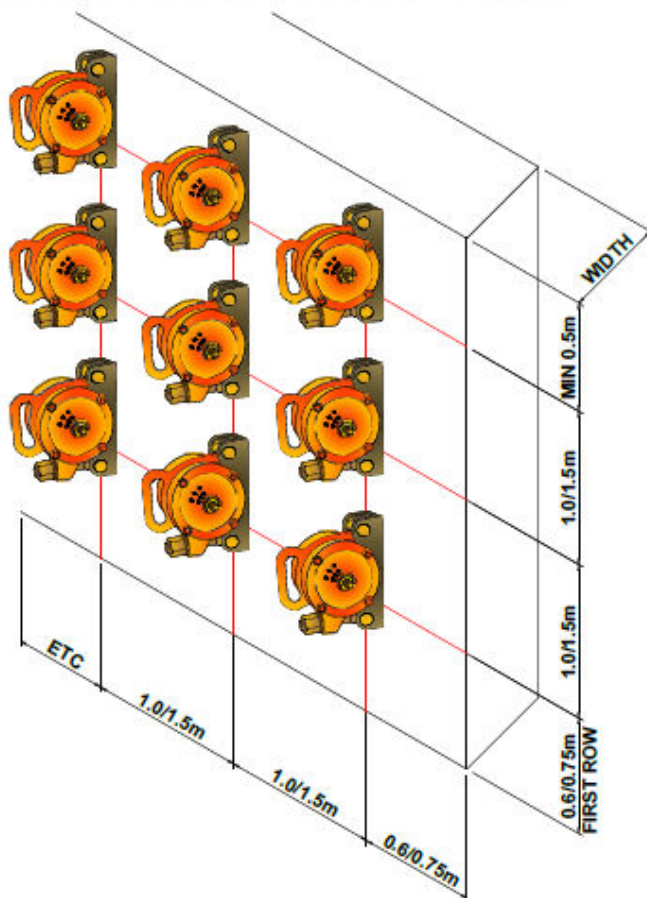
## EXTERNAL VIBRATORS APPLICATION QUESTIONNAIRE

Information required to make recommendations

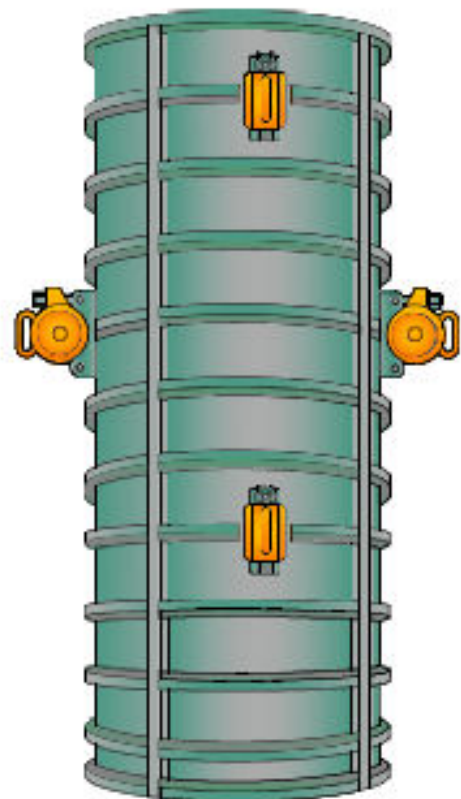
If possible please provide sketch of structure / moulds

Shutter Length	
Shutter Height	
Shutter Width	
Good Surface required one side	
Good Surface both sides	
Can access be obtained from both sides	
Shutter construction	
Attach clamps by welding or vice clamps	
Type of mix, slump, aggregate	
Spacing of reinforcing	
Can pokers be used on top section	
Mass of concrete	
How quickly can concrete be poured	
Power available	

SPACING GUIDE FOR VIBRATORS WITH CENTRIFUGAL FORCE OF 800 TO 1400 Kg



Drawing 001921



Drawing 001923

Guidance available see Technical Manual TM1422