

Used primary as shutter vibrators, tampers and surface finishers.

Can be used on vibrating hoppers, compaction tables, chutes, and knock out grids.

Rotary Vibration

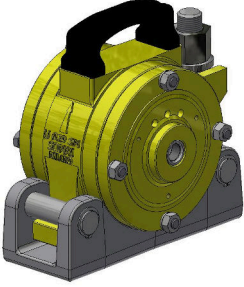

Variable force & frequency controlled by air pressure

1 mtr hose, on/off valve, quick release coupling, with gauze and hose clips available.

Quick Release Weld on Bracket, or Bolt-on Bracket to Special Order

Supplied with Handler as Standard, without to special order

Available with Straight Silencer or angled silencer at 2,4,8,10 o'clock position, state requirement *

		
Standard Vibrator with Handle & QR Bracket	Vibrator with Handle and Straight Silencer	Vibrator with Handle and angled Silencer
		
Standard Vibrator with Handle	Vibrator with QR Bracket and without Handle	Vibrator without Handle

VAQ2423-8023 Standard VAQ3023S-5023S Silenced Specification

Standard Vibrator with Handle (supplied as Standard)	VAQ2423-16	VAQ2523-16	VAQ4023-16	VAQ6023-16	-	-
Vibrator without Handle	VAQ2623-16	VAQ2723-16	VAQ4423-16	VAQ6623-16	-	-
Vibrator with Handle and Straight Silencer	-	-	-	-	VAQ3023	VAQ5023
Vibrator without Handle and with Straight Silencer	-	-	-	-	VAQ3323	VAQ5523
Vibrator with Handle and angled Silencer	-	-	-	-	VAQ3023.*	VAQ5023.*
Vibrator without Handle and with angled Silencer	-	-	-	-	VAQ3323.*	VAQ5523.*
Frequency/V.P.M.	16000	8500	13500	13000	10500	10000
Air Consumption litres/min	2000	1650	1600	1600	1600	1800
Air Consumption/CFM	70	58	56	56	56	63
Centrifugal Force/kg	1439	2084	3507	5413	3032	3606
Centrifugal Force Newton's	14111	20440	34400	54130	29700	35400
Working Moment/cm/kg	3.75	9.25	6.75	6.75	24.6	32.26
Noise Level/dBA	94	92	91	88	78	76
Weight/Kgs	14.2	14.9	14.9	16.0	19.0	21.0
Cradle Fixing	QR4 Part no 088010.04					

Hoses on models without silencer, Bracket and Bolt set ordered separately, can be supplied without handle

Performance data established in free air with a supply pressure of 6 bar (87 P.S.I.)

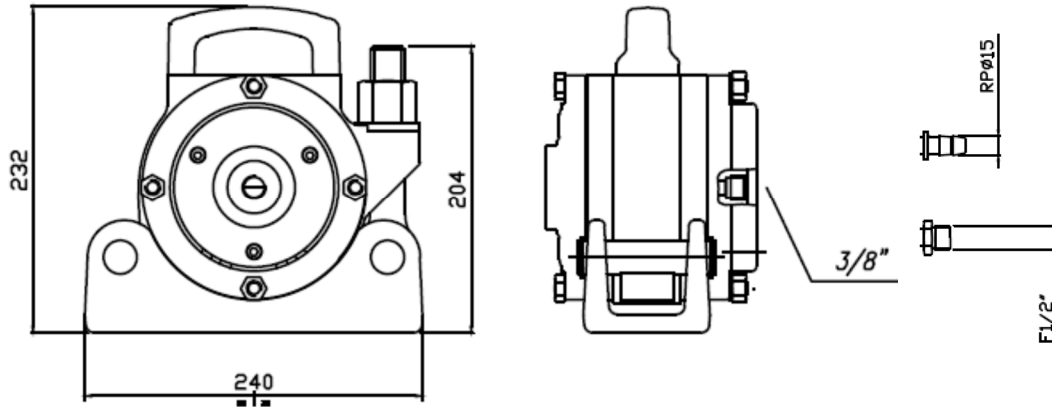
* State orientation when ordering angled silencer ie 2,4,8,10 o'clock (Suffix = orientation)

VIBTEC AUSTRALIA

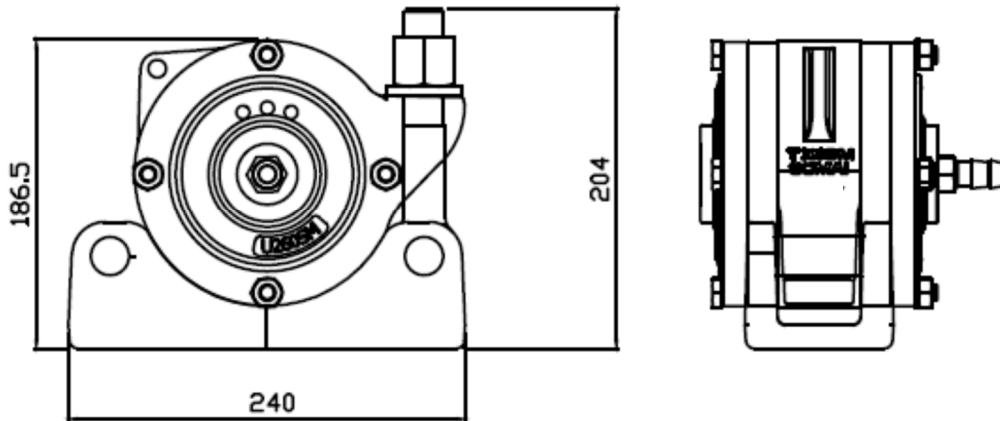
Unit 2, 64 Baile Road, Canning Vale, WA 6155, Perth Australia

Tel: +61 (0)8 6559 7470 Email: info@vibtec.com.au Web: www.vibtec.com.au

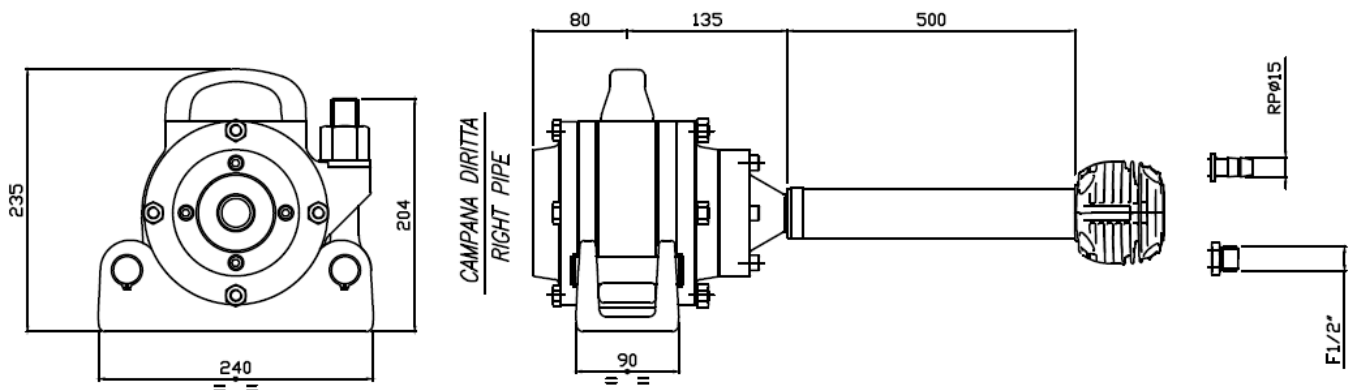
VAQ DIMENSIONS



VAQ2523-16, 3523-16, 4023-16, 6023-16, 8023-16 Standard Model with Handle 15mm Hose Connection supplied as Standard, 1/2 optional.

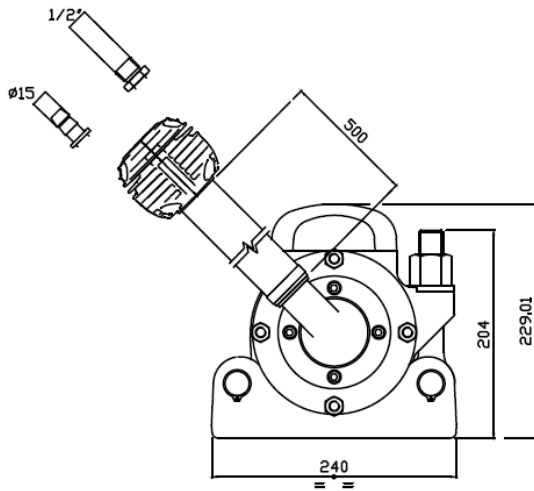


VAQ2723-16, 4423-16, 6623-16, 8823-16 Standard Model without Handle, 15mm Hose Connection supplied as Standard, 1/2 optional.

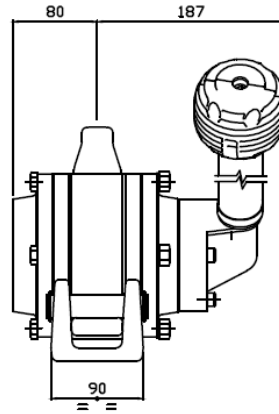


VAQ3023-16, 5023-16 Silenced Model with Handle and Straight Silencer, 15mm Hose Connection supplied as Standard, 1/2 optional.

VAQ DIMENSIONS

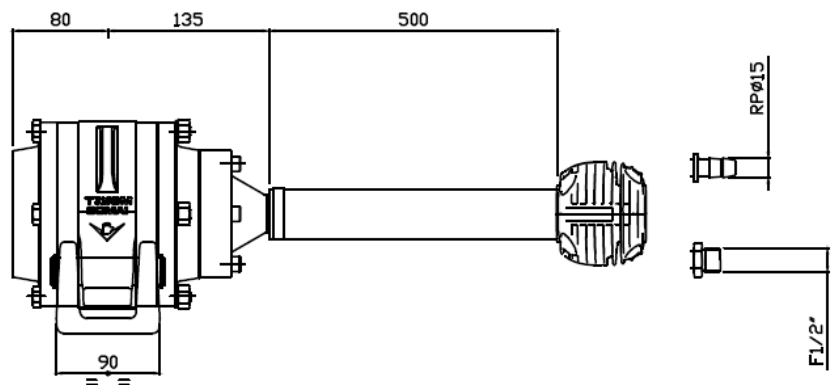
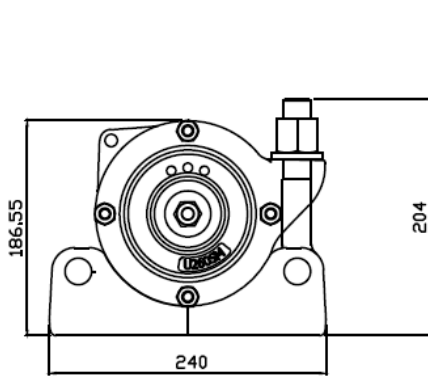


CAMPANA A 90°
90° PIPE

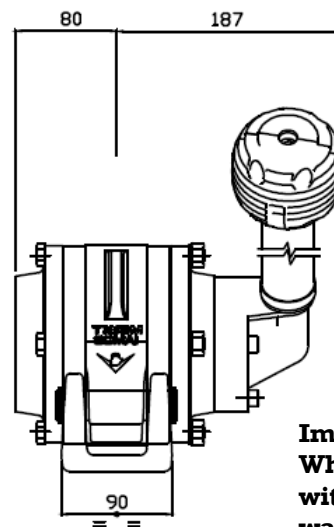
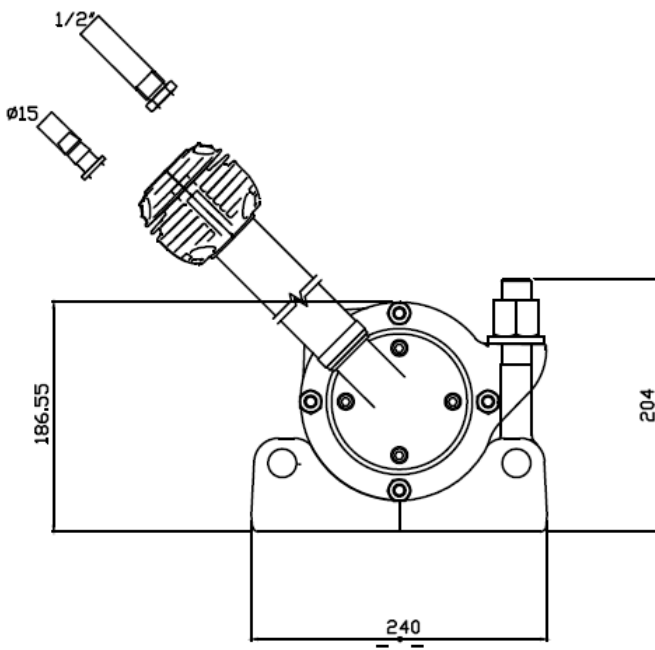


Important
When ordering Vibrator with Angled Silencer always state orientation of Silencer 2,4,8,10 o'clock

VAQ3023-16,5023-16 Silenced Model without Handle with Angled Silencer, 15mm Hose Connection supplied as Standard, 1/2 optional.



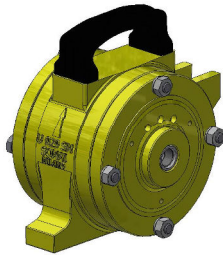
VAQ3323,5523 Silenced Model with Handle and Straight Silencer, 15mm Hose Connection supplied as Standard, 1/2 optional.



Important
When ordering Vibrator with Angled Silencer always state orientation of Silencer 2,4,8,10 o'clock

VAQ3323,5523 Silenced Model with Handle and Angled Silencer 15mm Hose Connection supplied as Standard, 1/2 optional.

OPTIONS AND ACCESSORIES



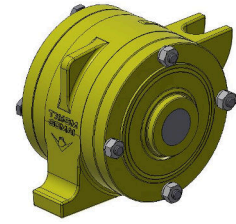
VAQ2523-VAQ6023
Supplied as Standard

Standard Package

Pneumatic Vibrator with handle
Weld on Bracket
1 mtr Hose assy

Optional

Lubricator (in line)
Lubricator with Regulator
Air Hose
Bolt on Bracket



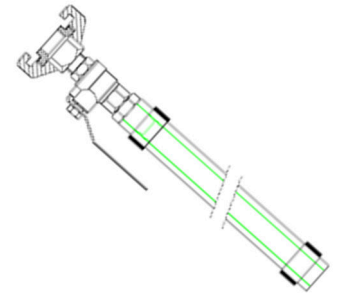
VAQ2723-6623
Without handle optional



Part No 088010.04
80mm Mounting Radius



European supplied as Standard
US and Australian available



Recommended
With European Coupling
Part no 000478

Quick release Bracket-weld on
Leaflet L1402-2020

Couplings
Leaflet L1104

Vibrator Hose
Leaflet L1423

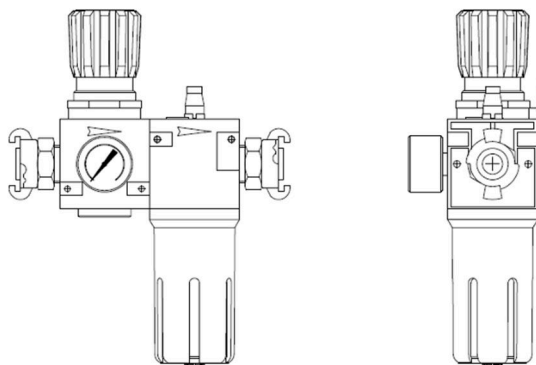


Extension Hoses Leaflet
Leaflet L1101

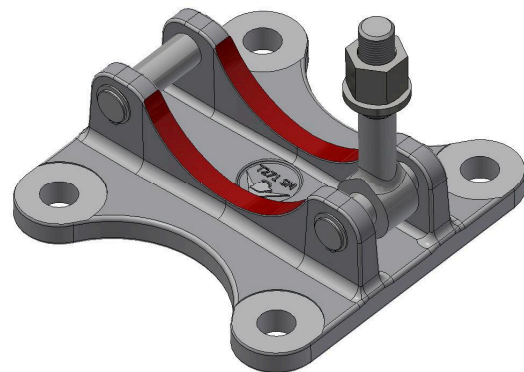


European Coupling supplied as Standard
US and Australian available

In Line Lubricator
Leaflet L1101 Part No 071010/20/40



Lubricator with Regulator
Leaflet L1106 Part no 071060/01/02



Quick Release Bracket-Bolt on M24
Leaflet L1408 Part no 088002

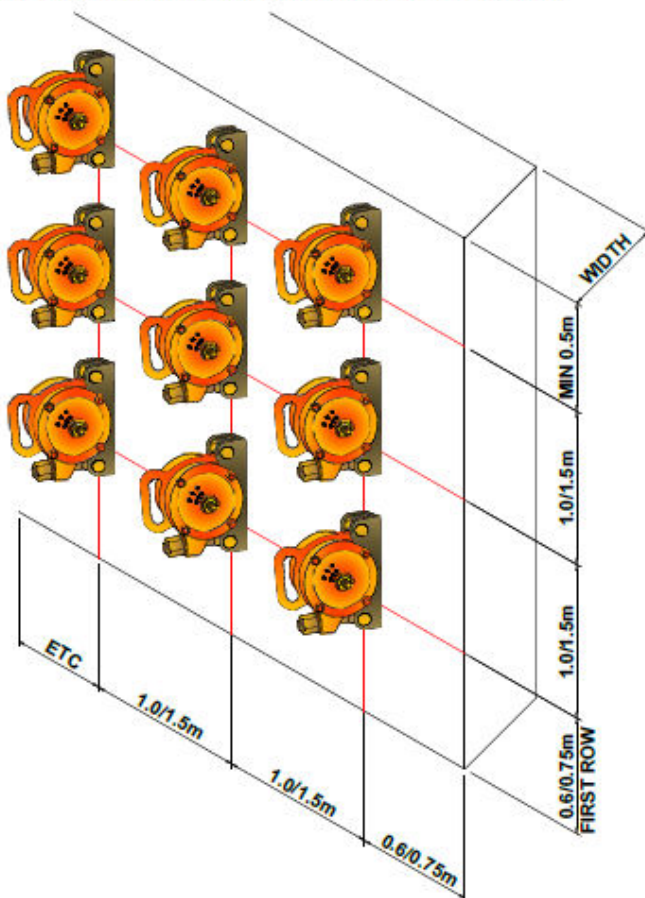
EXTERNAL VIBRATORS APPLICATION QUESTIONNAIRE

Information required to make recommendations

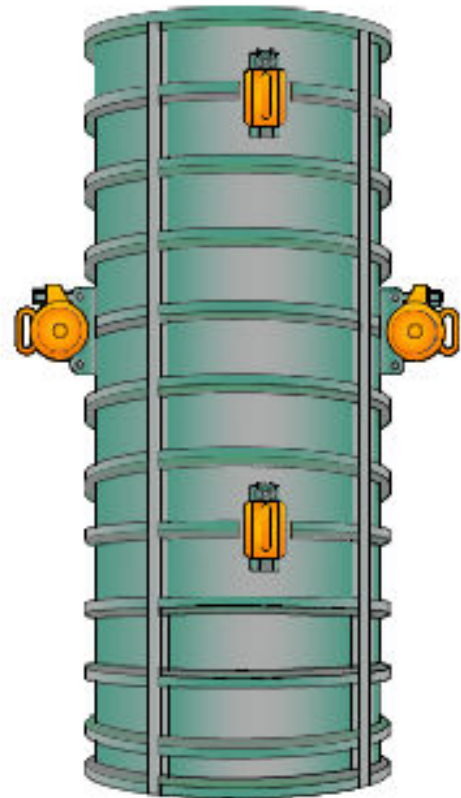
If possible please provide sketch of structure / moulds

Shutter Length	
Shutter Height	
Shutter Width	
Good Surface required one side	
Good Surface both sides	
Can access be obtained from both sides	
Shutter construction	
Attach clamps by welding or vice clamps	
Type of mix, slump, aggregate	
Spacing of reinforcing	
Can pokers be used on top section	
Mass of concrete	
How quickly can concrete be poured	
Power available	

SPACING GUIDE FOR VIBRATORS WITH CENTRIFUGAL FORCE OF 800 TO 1400 Kg



Drawing 001921



Drawing 001923

Guidance available see Technical Manual TM1422