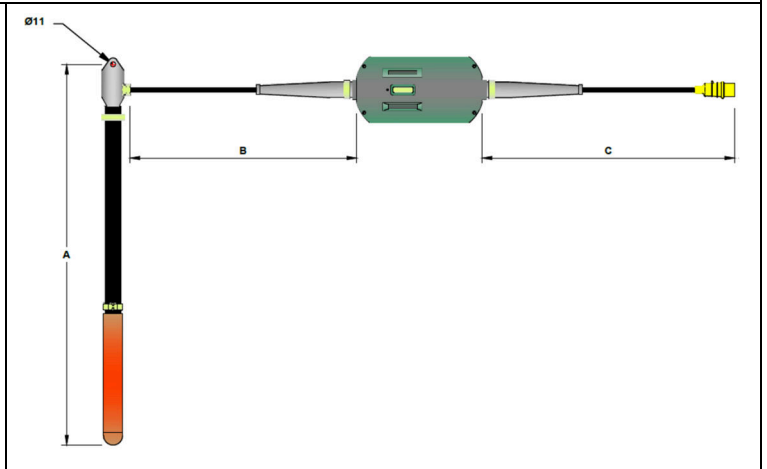
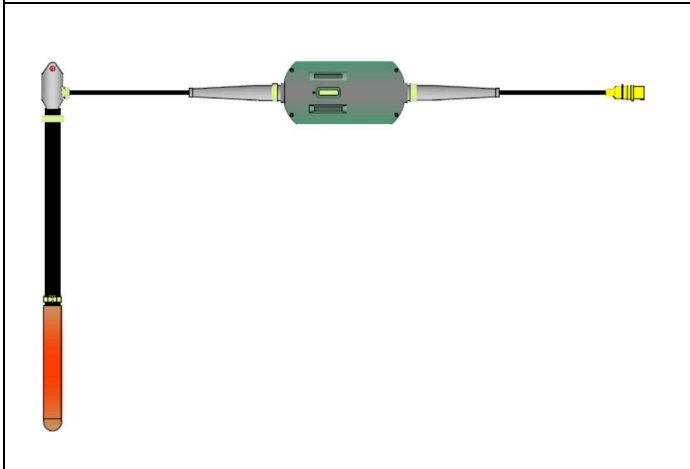
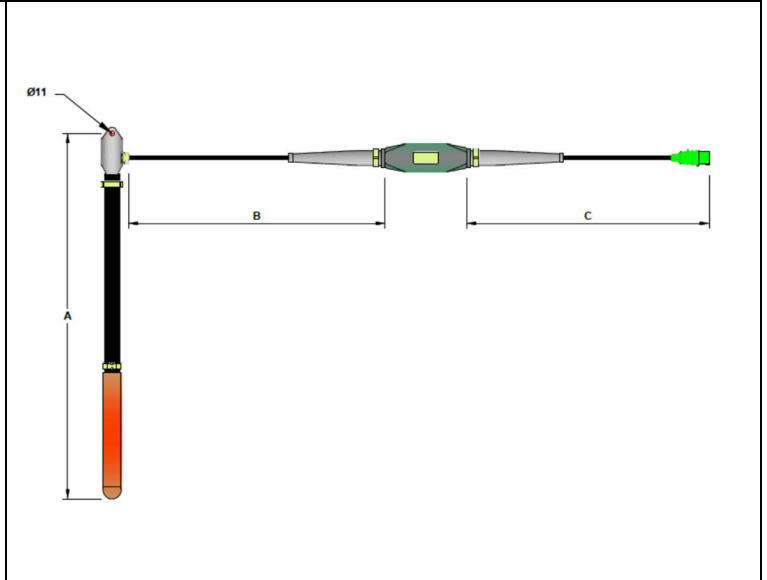
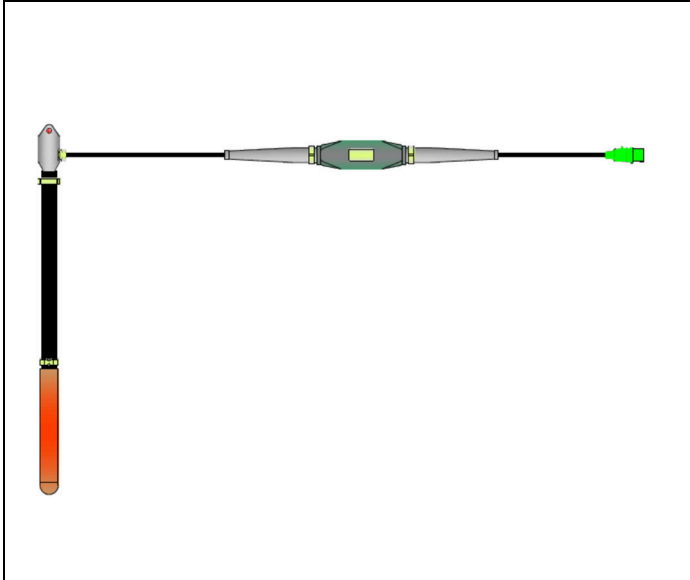


**HIGH FREQUENCY POKERS WITH HANGERS**

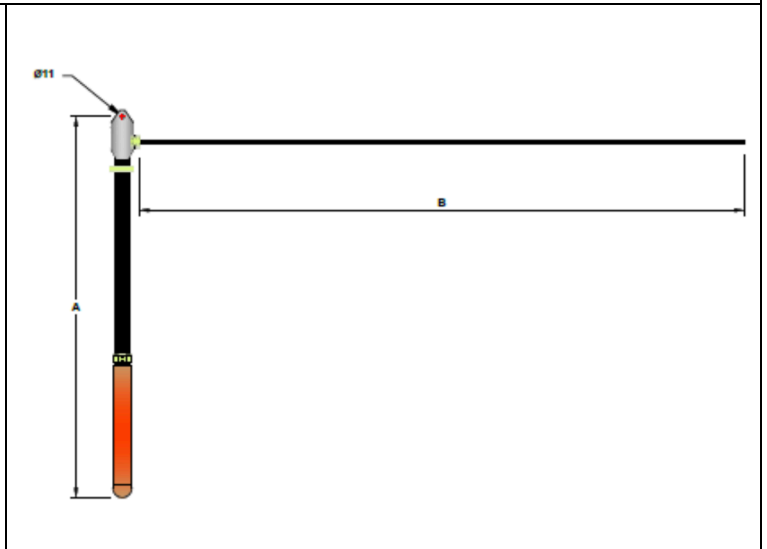
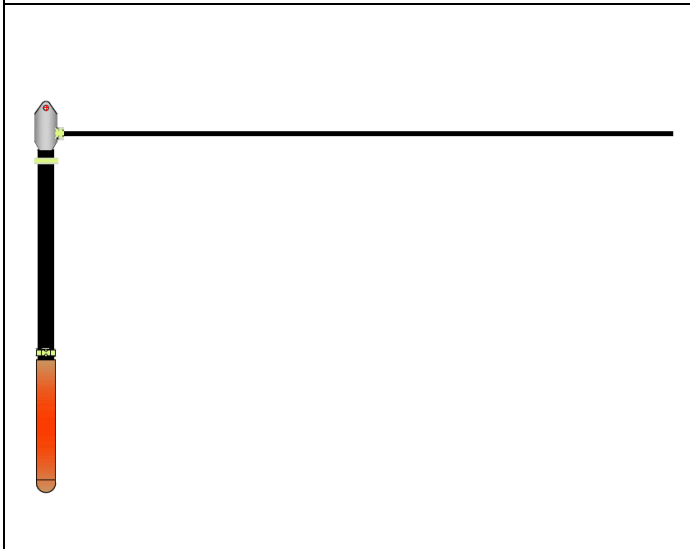
(Illustrations show type 2 Hanger)



115/1/50 or 230/1/50 input Voltage with Frequency Converter Drawing 019251

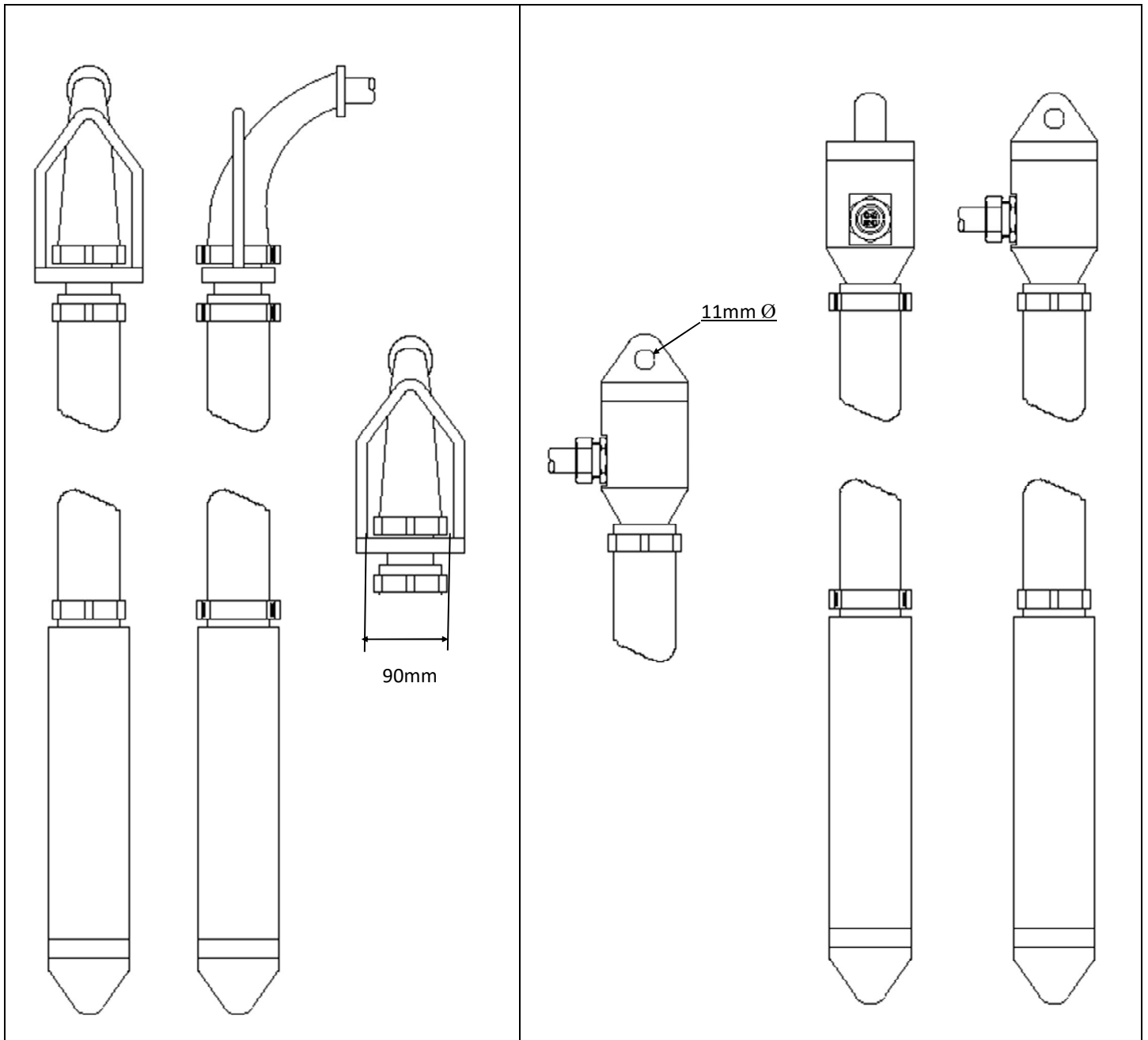


42/3/200 or 200/3/200 input Voltage with on/off switch Drawing 019248



115/3/200 or 230/3/200 input Voltage no Control Box Drawing 019254

Other variations can be built on request



**Type 1 Hook**

**Type 2 Bolt on/ Hook**

High Frequency Pokers are available with Hanging devices we offer two designs Hooks and Bolt on/Hook Devices. The pokers are available various sizes and voltages Thpe H1 have strengthening wires. Length of hose and cable must be specified. These unit do not normally have a switch fitted as the switch is normally fitted within the control panel, but if required a switch can be fitted. Frequency convertors can be designed to suit the number of pokers in the system or a Control Panel can be incorporated in the Plant System Control Panel.

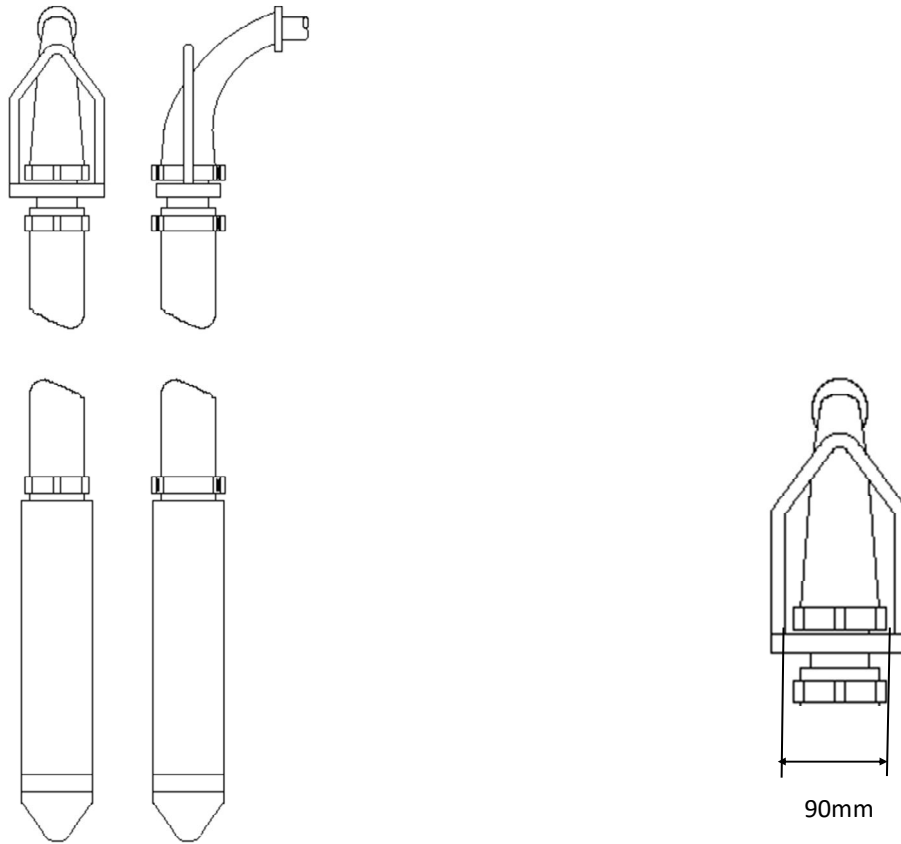
**VIBTEC AUSTRALIA**

**Unit 2, 64 Baile Road, Canning Vale, WA 6155, Perth Australia**

Tel: +61 (0)8 6559 7470 Email: info@vibtec.com.au Web: www.vibtec.com.au

**VPIH1 HIGH FREQUENCY ELECTRIC IMMERSION VIBRATORS**

**H1 Premium Brand with Hook**



Model	VPIH1 39	VPIH1 51	VPIH1 59	VPIH1 65H	VPH1 I66	VPIH1 81
Input Voltage	42/3/200	42/3/200	42/3/200	42/3/200	42/3/200	42/3/200
Current (Start up +15%)Amps	10.0	18.00	25.0	28.0	30.0	55.0
Head Diameter mm	38.5	51	59	65	66	81
Head Length mm	370	390	360	340	510	445
Hose size mm x mm	20 x 33	25 x 40	25 x 40	25 x 40	25 x 40	32 x 49
Hose length mtr	1.5	1.5	1.5	1.5	1.5	1.5
Cable Length	10	10	10	10	10	10
Total Weight kgs	5.3	10.1	10.9	12.3	14.2	24.5
Frequency vpm	12000	12000	12000	12000	12000	12000
Centrifugal Force Newtons	1600	3600	5400	7200	7200	15200
Centrifugal Force Kg	163	367	550	734	734	1549
Weighted Vibration m/s <sup>2</sup>	<2.5	<2.5	<2.5	<2.5	<2.5	<2.5
Output Maximum m <sup>3</sup> /hr	15	21	36	38	38	60
Radius of Effectiveness cm	46.8	67.2	70.8	78.0	78.0	97.2
S P Level d(b)A	<72	<72	<72	<72	<72	<72
CEE Plug	32	32	32	32	32	63

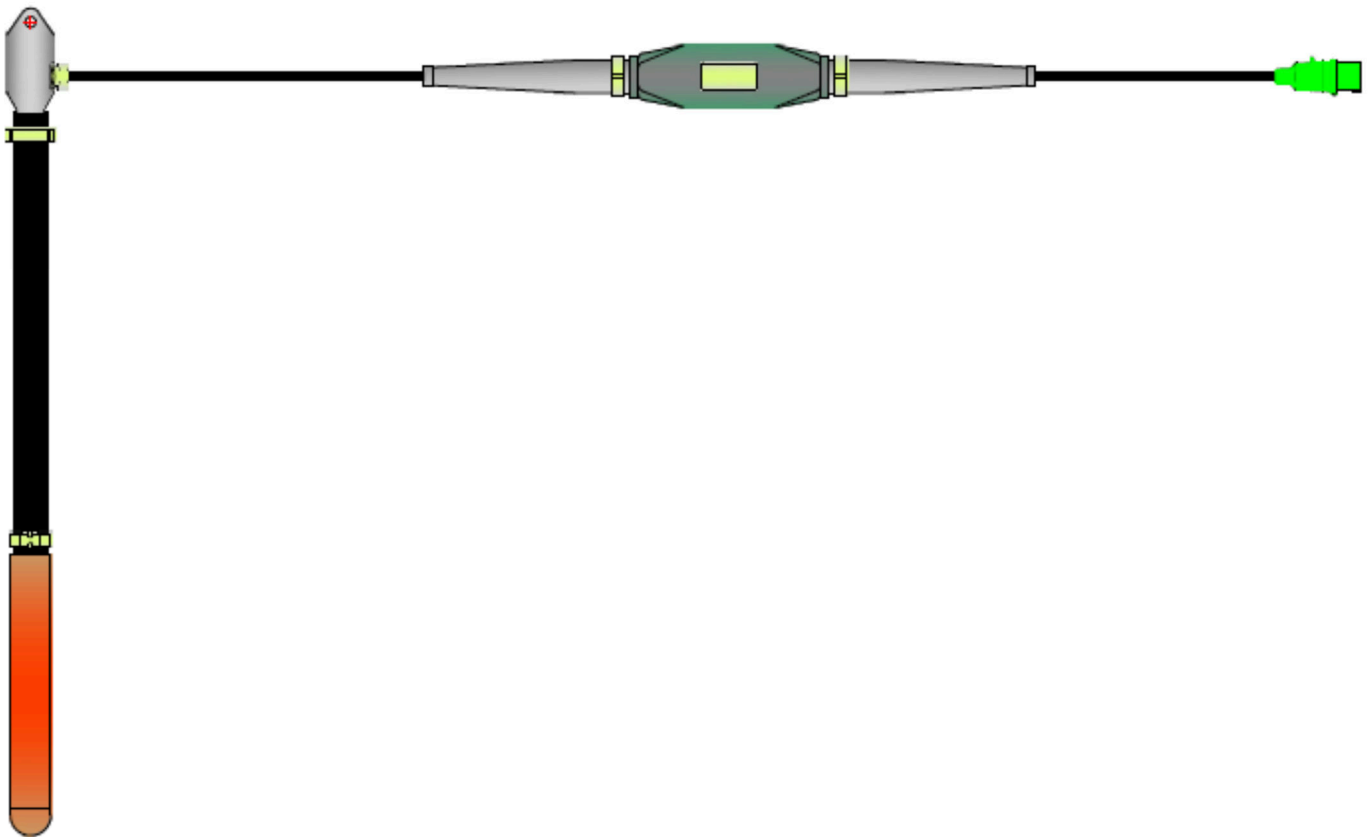
**VPIH2 HIGH FREQUENCY ELECTRIC IMMERSION VIBRATORS**

**H2 Standard Brand with Hook/Bolt on**

**42/3/200 & 200/3/200**

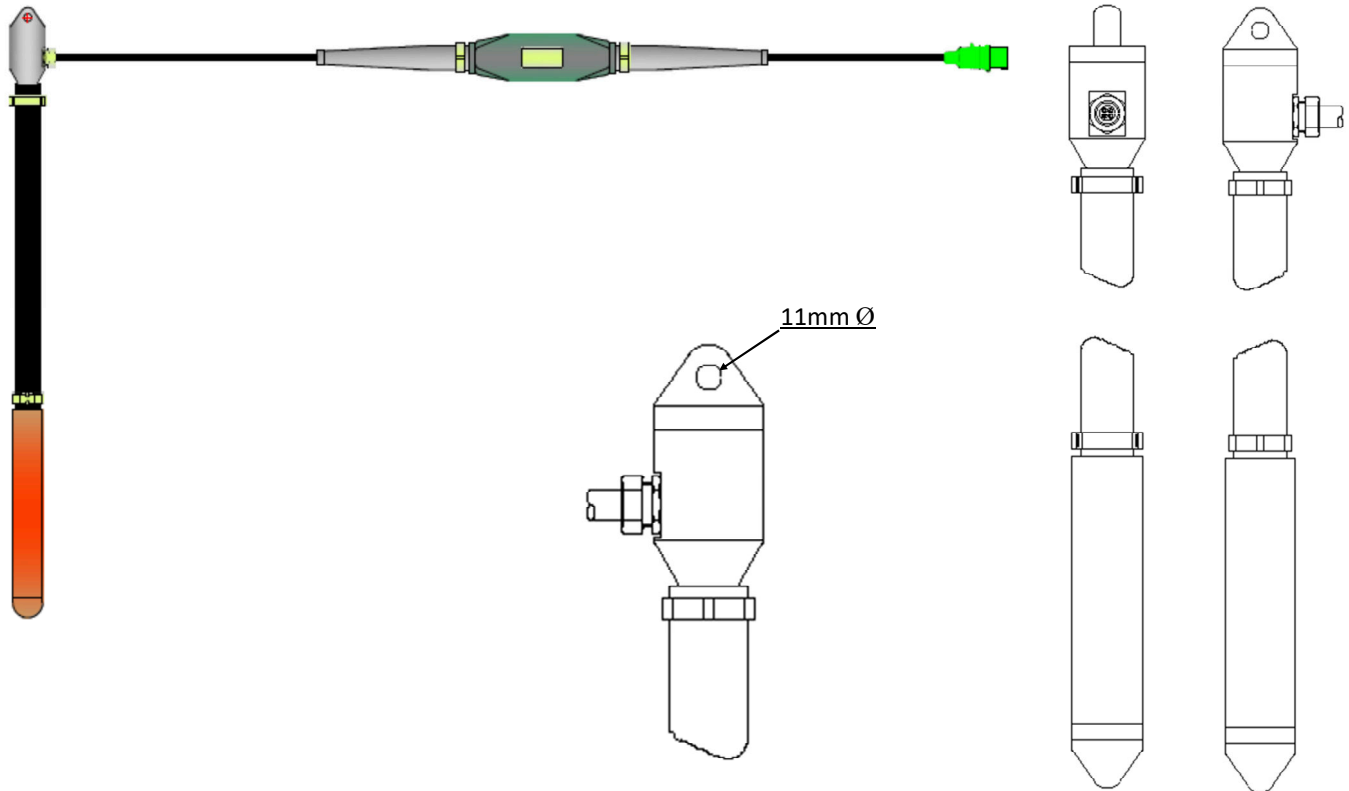
**Model VPI MB50/58/65/75/S**

**Drawing No 019248**



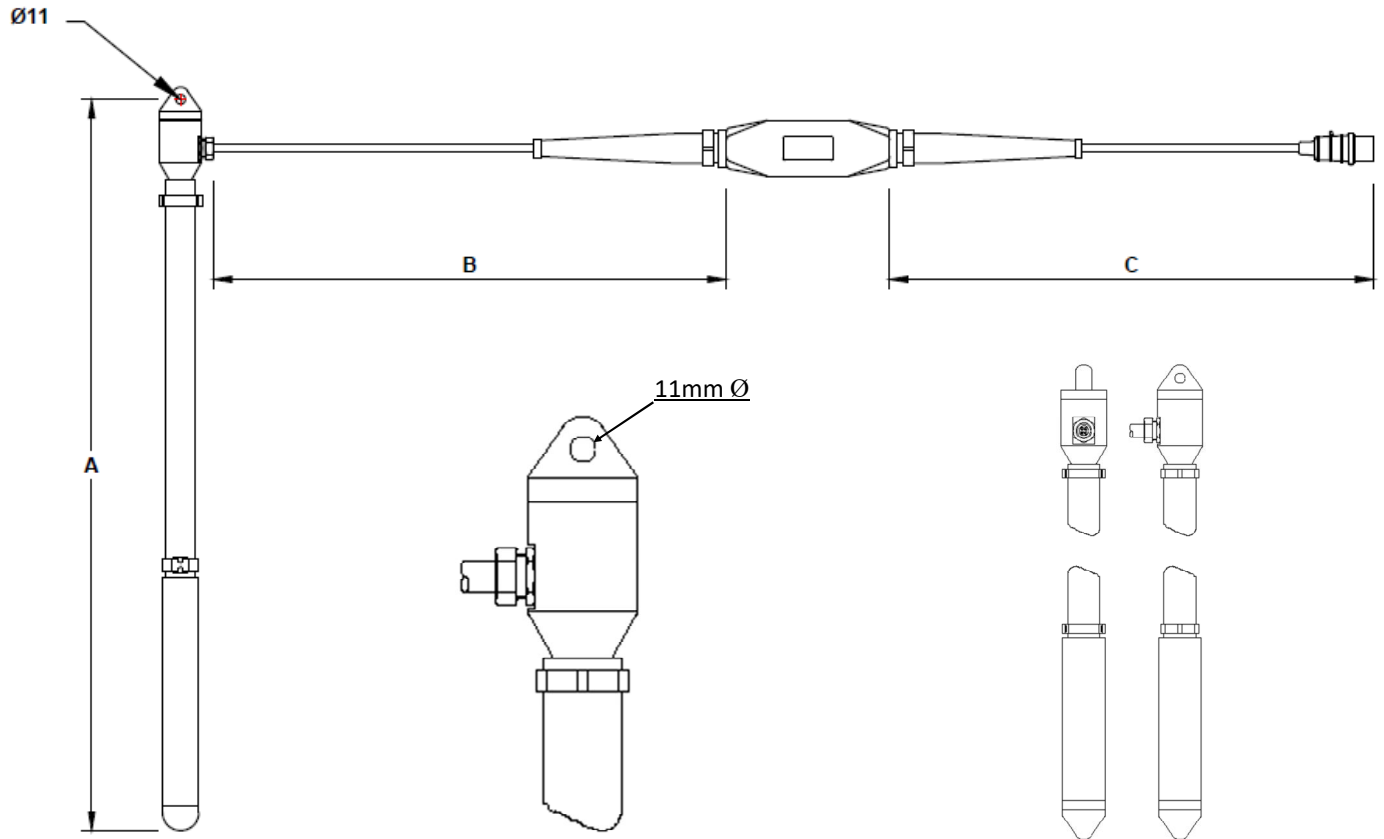
**VPIH2 HIGH FREQUENCY ELECTRIC IMMERSION VIBRATORS**

**H2 Standard Brand with Hook/Bolt on**



Model	VPII2 MB50	VPII2 MB58	VPI2 MB65	VPIH2 MB75
Input Voltage	42/3/200	42/3/200	42/3/200	42/3/200
Output watts	900	1100	1600	1750
Current (Start up +15%) amps	12.00	15.00	22.00	18.00*
Thermal protection	Thermal protection as standard			Not fitted
Head Diameter mm	50	58	65	75
Head Length mm	365	380	370	400
Hose size Bore x Diameter mm	25 x 39	25 x 39	25 x 39	25 x 39
Hose length mtr	<b>'A' Specified by customer eye to nose cap (see drawing 012366)</b>			
Cable Length Head to Switch Box	<b>'B' Specified by Customer</b>			
Cable Length Switch Box to Plug	<b>'C' Specified by Customer</b>			
Total Weight 1.5mtr model kgs	9.5	10.5	14.5	15.5
Frequency vpm	12000	12000	12000	12000
Amplitude	2.2	2.4	2.6	2.6
Centrifugal Force Newtons	3335	5640	7063	7602
Centrifugal Force Kg	340	575	720	775
Weighted Vibration m/s <sup>2</sup> (0.8mtr from head)	<2.5	<2.5	<2.5	<2.5
Output maximum m <sup>3</sup> /hr	30	35	40	45
Radius of Effectiveness cm	35.00	42.00	40.00	40.00
S P Level d(b)A	79	79	79	79

**VPIH2 HIGH FREQUENCY ELECTRIC IMMERSION VIBRATORS  
H2 Standard Brand with Hook/Bolt on**



Supply Questionnaire ref Drawing 12366

A	Length from Eye to Poker Nose Tip	
B	Cable from hanger to Switch box/invertor	
C	Cable from Switch box to Plug/Cable Termination Length	
D	Is Switch/Invertor box required	
E	Input Voltage 42/3/200 or 230/3/200	
F	Head Diameter	
G	Hose Length = B-(Head Length + 92mm)	
H	Is plug required	
J	Type of Plug if required	
K	Is Invertor required	

Any other requirements

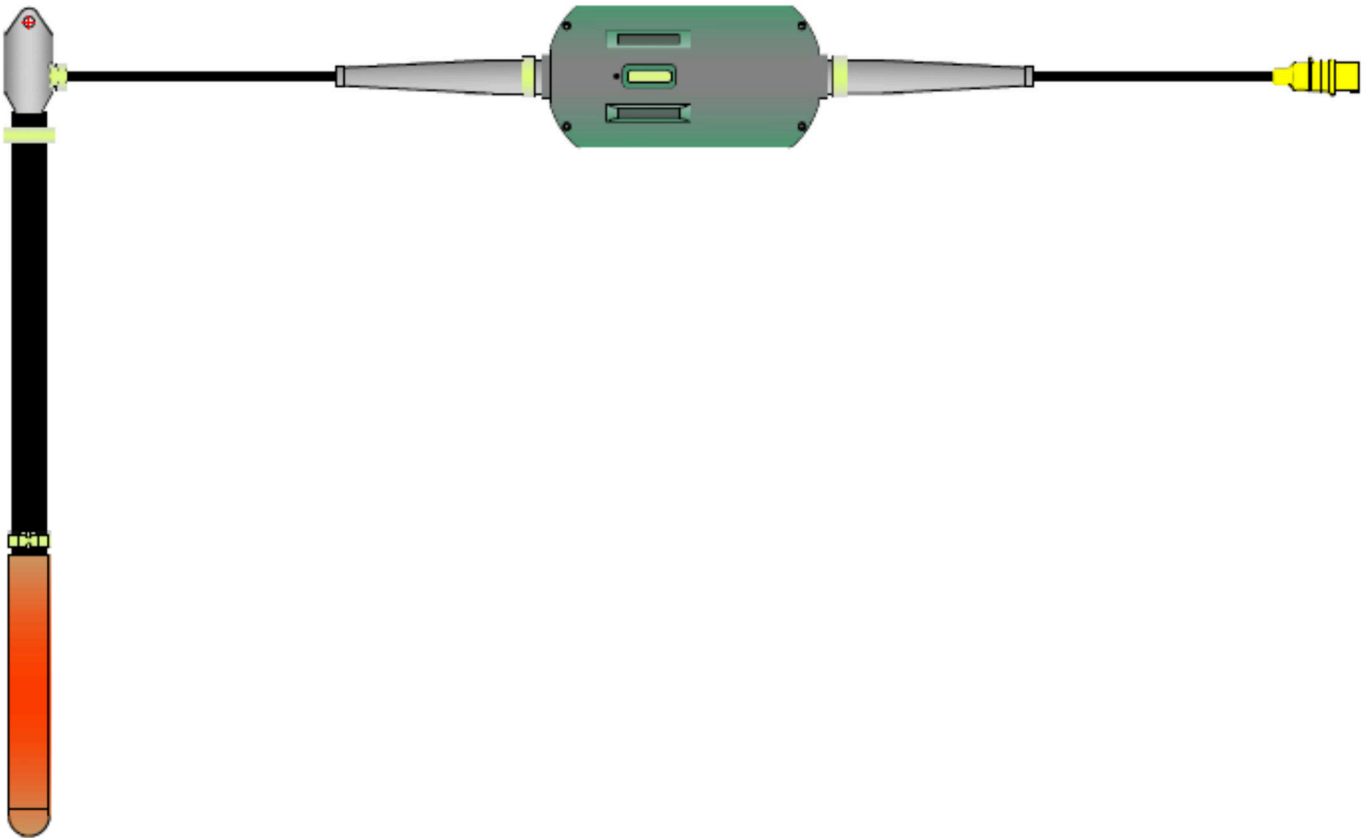
**VPIH2 HIGH FREQUENCY ELECTRIC IMMERSION VIBRATORS**

**H2 Standard Brand with Hook/Bolt on**

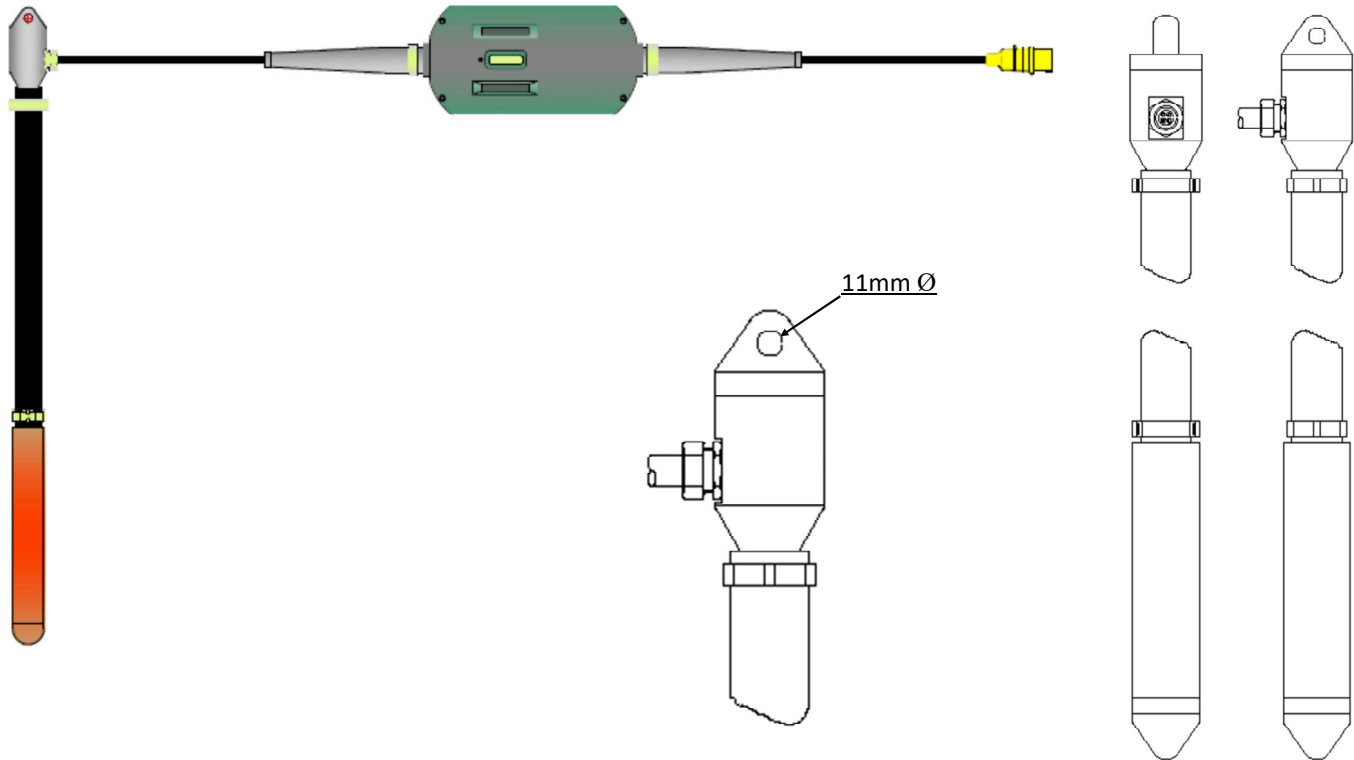
**115/1/50 & 230/1/50**

**Model VPK H2 MB50/58/65/IC**

**Drawing 019251**



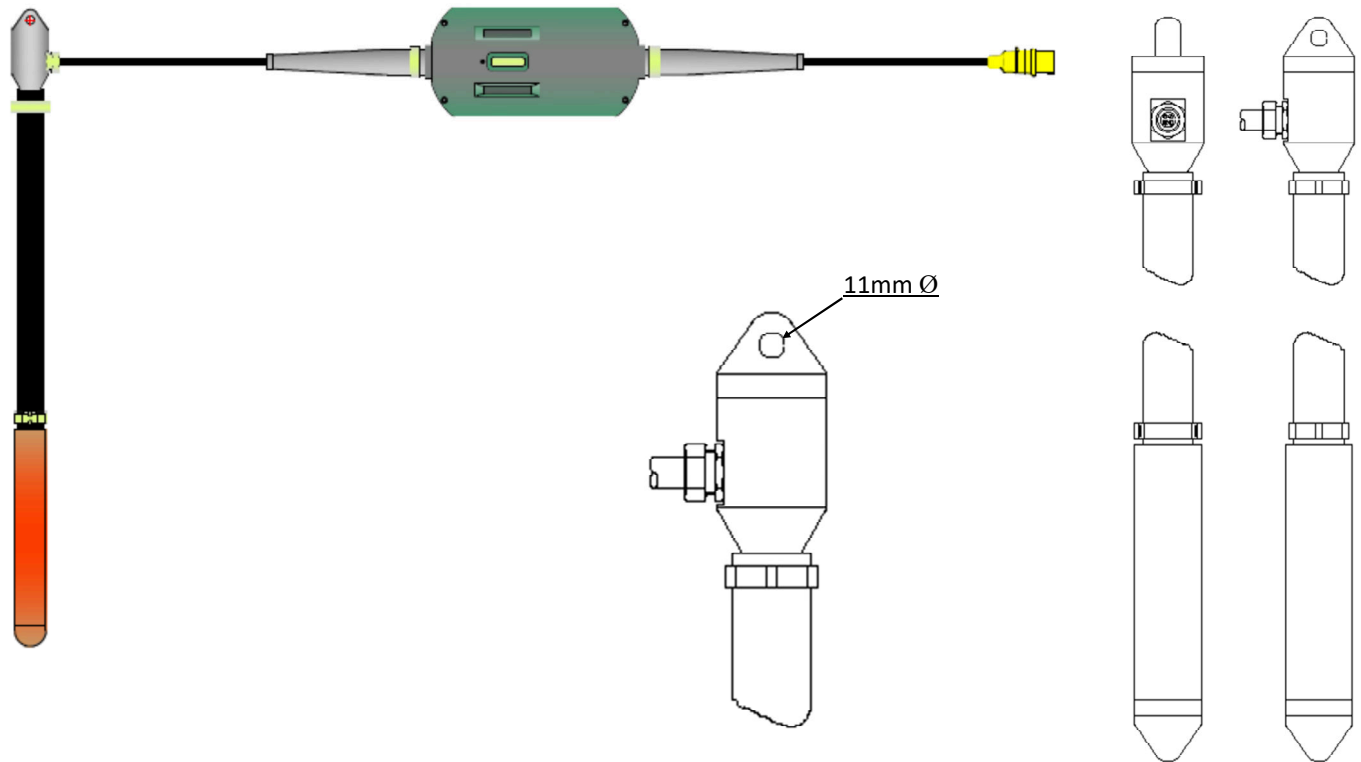
**VPIH2 HIGH FREQUENCY ELECTRIC IMMERSION VIBRATORS**



Model	VPKH2 MB50/230/1C/A/B/C	VPKH2 MB58/230/1C/A/B/C	VPK2 MB65/230/1C/A/B/C
Input Voltage	230/1/50	230/1/50	230/3/200
Output watts	900	1100	1600
Current (Start up +15%) amps	12.00	15.00	22.00
Thermal protection	Thermal protection as standard		
Head Diameter mm	50	58	65
Head Length mm	365	420	400
Hose size Bore x Diameter mm	25 x 30	25 x 39	25 x 39
Hose length mtr	<b>'A' Specified by customer eye to nose cap (see drawing 012366)</b>		
Cable Length Head to Switch Box	<b>'B' Specified by Customer</b>		
Cable Length Switch Box to Plug	<b>'C' Specified by Customer</b>		
Total Weight 1.5mtr model kgs	9.5	10.5	14.5
Frequency vpm	12000	12000	12000
Amplitude	2.2	2.4	2.6
Centrifugal Force Newtons	3335	5640	7063
Centrifugal Force Kg	340	575	720
Weighted Vibration m/s <sup>2</sup> (0.8mtr from head)	2.5	2.5	2.5
Output maximum m <sup>3</sup> /hr	30	35	40
Radius of Effectiveness cm	30.00	35.00	40.00
S P Level d(b)A	79	79	79

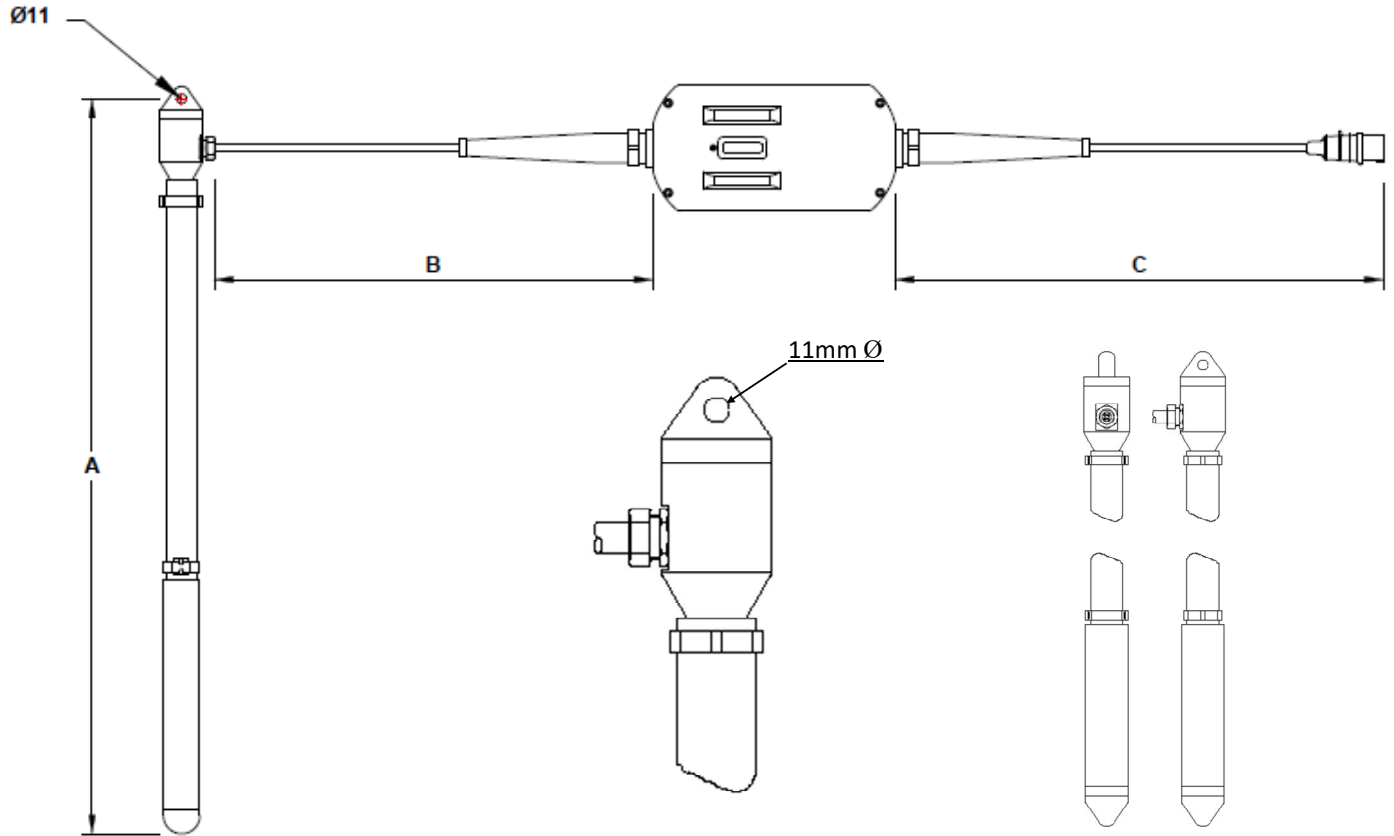


**VPIH2 HIGH FREQUENCY ELECTRIC IMMERSION VIBRATORS**



Model	VPKH2 MB50/115/1C/A/B/C	VPKH2 MB58/115/1C/A/B/C	VPK2 MB65/115/1C/A/B/C
Input Voltage	115/1/50	115/1/50	115/3/200
Output watts	900	1100	1600
Current (Start up +15%) amps	12.00	15.00	22.00
Thermal protection	Thermal protection as standard		
Head Diameter mm	50	58	65
Head Length mm	365	420	400
Hose size Bore x Diameter mm	25 x 30	25 x 39	25 x 39
Hose length mtr	<b>'A' Specified by customer eye to nose cap (see drawing 012366)</b>		
Cable Length Head to Switch Box	<b>'B' Specified by Customer</b>		
Cable Length Switch Box to Plug	<b>'C' Specified by Customer</b>		
Total Weight 1.5mtr model kgs	9.5	10.5	14.5
Frequency vpm	12000	12000	12000
Amplitude	2.2	2.4	2.6
Centrifugal Force Newtons	3335	5640	7063
Centrifugal Force Kg	340	575	720
Weighted Vibration m/s <sup>2</sup> (0.8mtr from head)	2.5	2.5	2.5
Output maximum m <sup>3</sup> /hr	30	35	40
Radius of Effectiveness cm	30.00	35.00	40.00
S P Level d(b)A	79	79	79

**VPIH2 HIGH FREQUENCY ELECTRIC IMMERSION VIBRATORS  
H2 Standard Brand with Hook/Bolt on**



Supply Questionnaire ref Drawing 12366

A	Length from Eye to Poker Nose Tip	
B	Cable from hanger to Switch box/invertor	
C	Cable from Switch box to Plug/Cable Termination Length	
D	Is Switch/Invertor box required	
E	Input Voltage 115/1/50 or 230/1/50	
F	Head Diameter	
G	Hose Length = B-(Head Length + 92mm)	
H	Is plug required	
J	Type of Plug if required	

Any other requirements

**VPKH2 HIGH FREQUENCY ELECTRIC IMMERSION VIBRATORS**

**H2 Standard Brand with Hook/Bolt on**

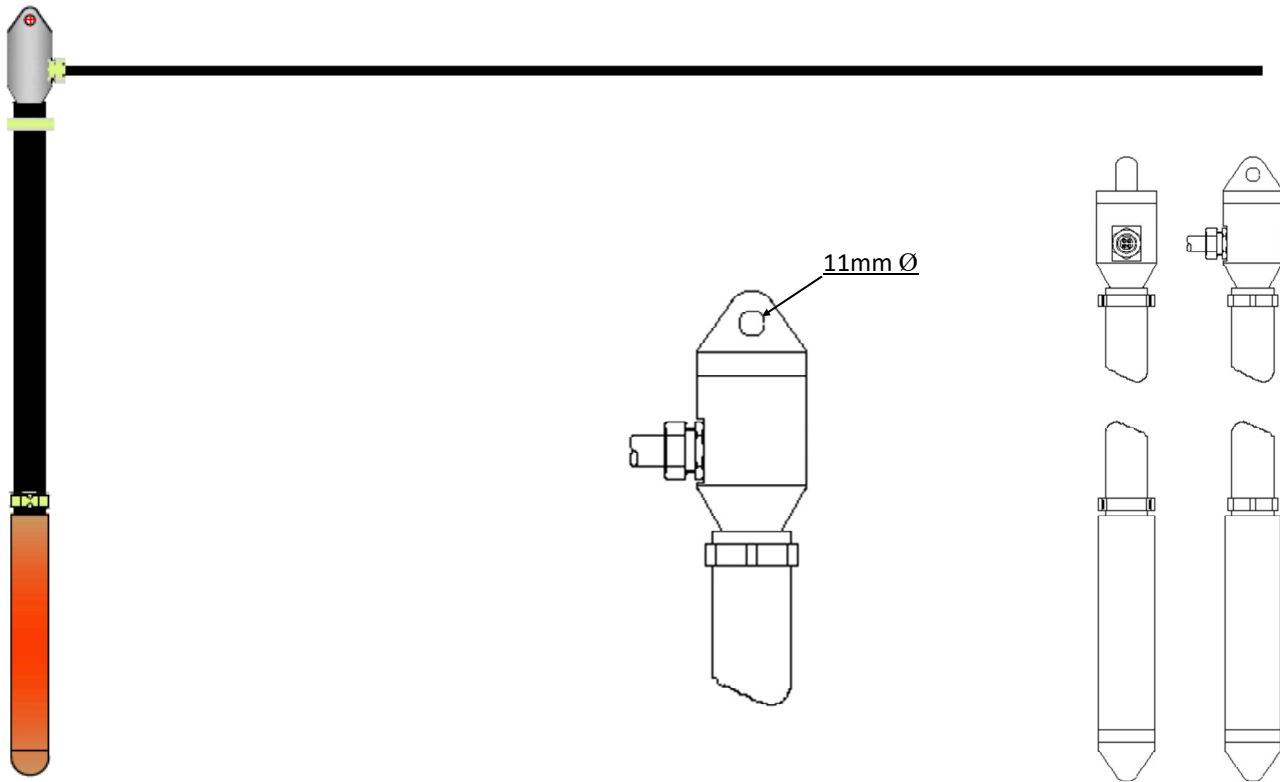
**115/1/50 & 230/1/50**

**Model VPK H2 MB50/58/65**

**Drawing 019254**

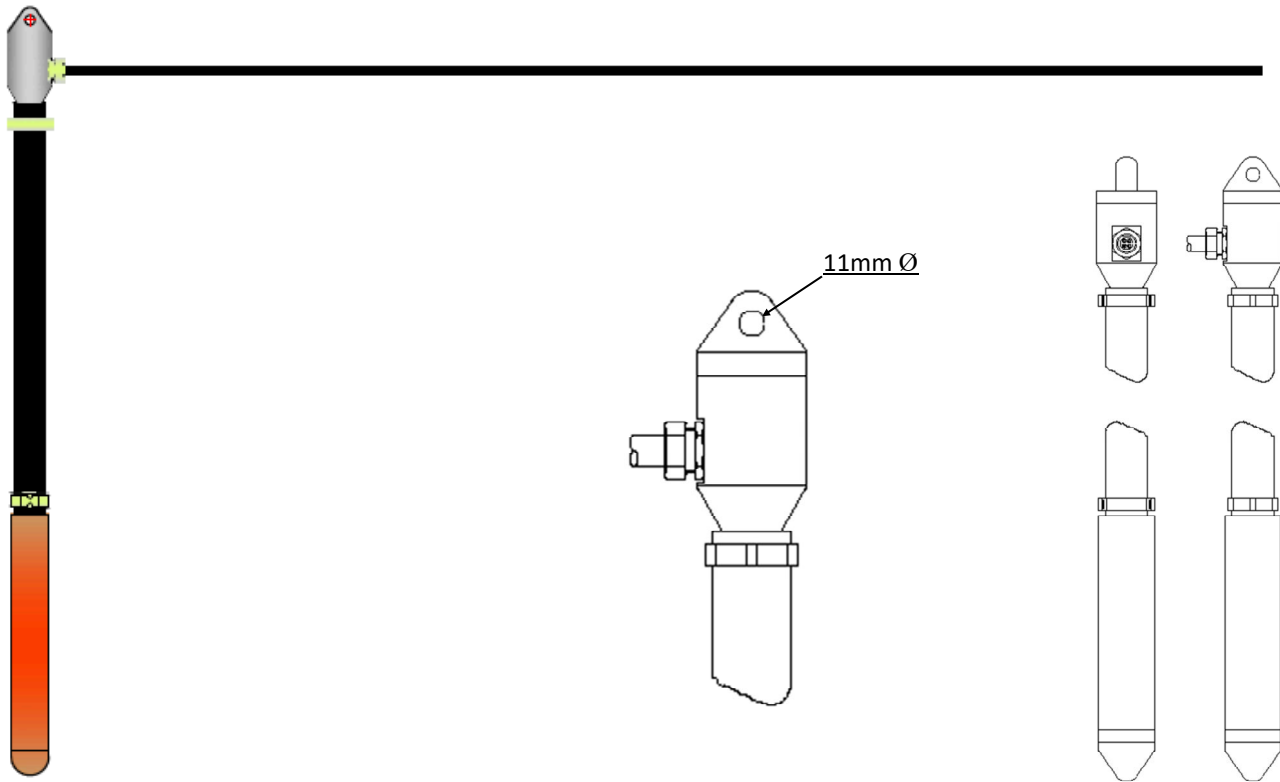


**VPKH2 HIGH FREQUENCY ELECTRIC IMMERSION VIBRATORS**  
**H2 Standard Brand with Hook/Bolt on**



Model	VPKH2 MB50/230/A/B	VPKH2 MB58/230/A/B	VPK2 MB65/230/A/B
Input Voltage	230/3/200	230/3/200	230/3/200
Output watts	900	1100	1600
Current (Start up +15%) amps	12.00	15.00	22.00
Thermal protection	Thermal protection as standard		
Head Diameter mm	50	58	65
Head Length mm	365	420	400
Hose size Bore x Diameter mm	25 x 30	25 x 39	25 x 39
Hose length mtr	<b>'A' Specified by customer eye to nose cap (see drawing 012366)</b>		
Cable Length Head from Head	<b>'B' Specified by Customer</b>		
Total Weight 1.5mtr model kgs	9.5	10.5	14.5
Frequency vpm	12000	12000	12000
Amplitude	2.2	2.4	2.6
Centrifugal Force Newtons	3335	5640	7063
Centrifugal Force Kg	340	575	720
Weighted Vibration m/s <sup>2</sup> (0.8mtr from head)	2.5	2.5	2.5
Output maximum m <sup>3</sup> /hr	30	35	40
Radius of Effectiveness cm	30.00	35.00	40.00
S P Level d(b)A	79	79	79

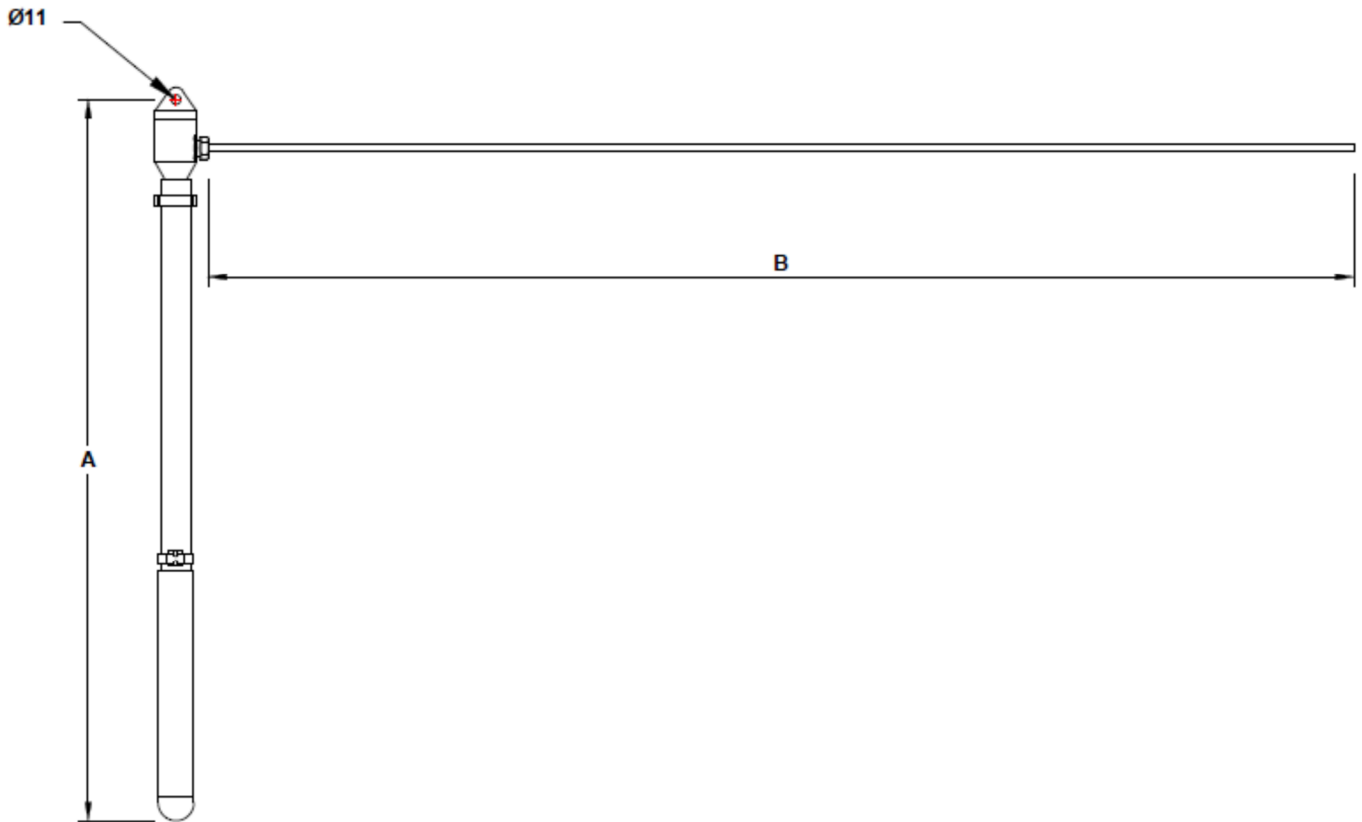
**VPKH2 HIGH FREQUENCY ELECTRIC IMMERSION VIBRATORS  
H2 Standard Brand with Hook/Bolt on**



Model	VPKH2 MB50/115/A/B	VPKH2 MB58/115/A/B	VPK2 MB65/115/A/B
Input Voltage	230/3/200	230/3/200	230/3/200
Output watts	900	1100	1600
Current (Start up +15%) amps	12.00	15.00	22.00
Thermal protection	Thermal protection as standard		
Head Diameter mm	50	58	65
Head Length mm	365	420	400
Hose size Bore x Diameter mm	25 x 30	25 x 39	25 x 39
Hose length mtr	<b>'A' Specified by customer eye to nose cap (see drawing 012366)</b>		
Cable Length Head from Head	<b>'B' Specified by Customer</b>		
Total Weight 1.5mtr model kgs	9.5	10.5	14.5
Frequency vpm	12000	12000	12000
Amplitude	2.2	2.4	2.6
Centrifugal Force Newtons	3335	5640	7063
Centrifugal Force Kg	340	575	720
Weighted Vibration m/s <sup>2</sup> (0.8mtr from head)	2.5	2.5	2.5
Output maximum m <sup>3</sup> /hr	30	35	40
Radius of Effectiveness cm	30.00	35.00	40.00
S P Level d(b)A	79	79	79

\* Highly efficient motor

**VPIH2 HIGH FREQUENCY ELECTRIC IMMERSION VIBRATORS  
H2 Standard Brand with Hook/Bolt on**



Supply Questionnaire ref Drawing 12366

A	Length from Eye to Poker Nose Tip	
B	Cable from hanger to Switch box/invertor	
D	Is Switch/Invertor box required	
E	Input Voltage 42/3/200 or 230/3/200	
F	Head Diameter	
G	Hose Length = B-(Head Length + 92mm)	
H	Is plug required	
J	Type of Plug if required	
K	Is Invertor required	

Any other requirements